

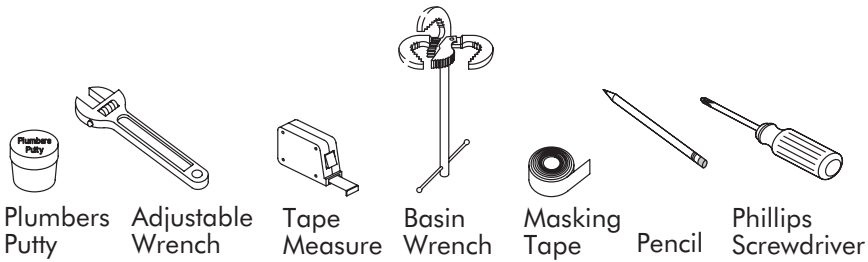
INSTALLATION

G U I D E

CORALAIS™  
PULL-OUT  
SPRAY  
KITCHEN  
FAUCET

THE BOLD LOOK  
OF **KOHLER**®

## RECOMMENDED TOOLS AND MATERIALS



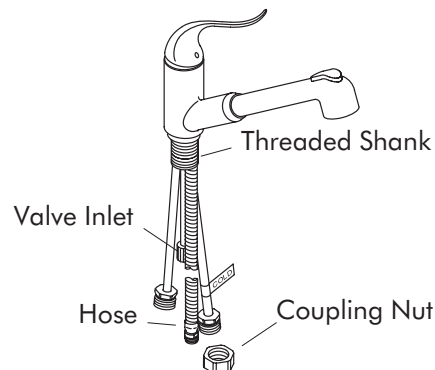
## BEFORE YOU BEGIN

**⚠ CAUTION: Risk of fresh water contamination.** To avoid potential back-siphonage, do not connect this faucet to a portable washing device, such as a dishwasher.

- Shut off the main water supply.
- Observe local plumbing codes.
- If possible, install this faucet before installing the sink.
- Contains anti-siphon valving.
- Inspect the supply tubing for damage. Replace as necessary.
- Kohler Co. reserves the right to make revisions in the design of faucets without notice, as specified in the Price Book.

## 1. SECURE FAUCET

Remove the coupling nuts.  
Disconnect the hose from the valve inlet. Pull the hose up through the faucet until the hose end is in the threaded shank of the faucet body.



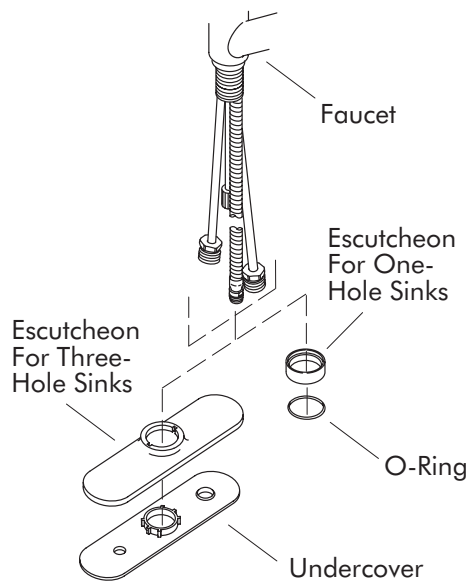
---

**FOR THREE-HOLE SINKS:**

Position the undercover on the bottom of the escutcheon. Apply a bead of plumbers putty or other sealant to the bottom edges of the undercover according to the putty manufacturer's instructions. Slide the escutcheon and undercover onto the faucet.

**FOR ONE-HOLE SINKS:**

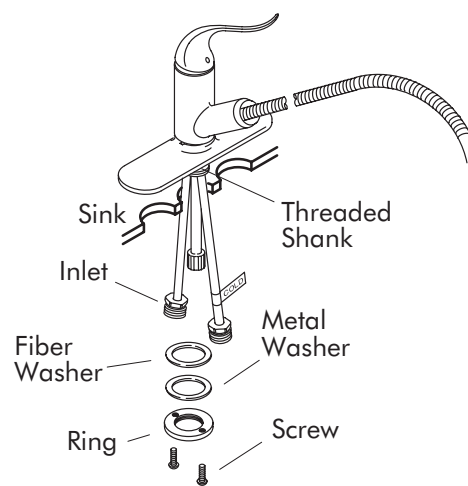
Position the O-ring on the bottom of the escutcheon. Slide the O-ring and escutcheon onto the faucet.



---

Fit the faucet through the sink hole. Position the faucet so the handle faces forward.

Partially thread two screws into the threaded ring until they barely protrude from the backside of the threaded ring. Slide the fiber washer and the metal washer onto the shank and thread the ring onto the threaded shank until it is about 1/4" from touching the sink bottom. Turn the ring as needed so the screws are to the front and back of the faucet. Use a Phillips screwdriver to securely tighten the screws.



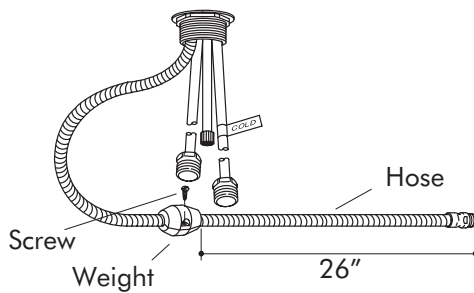
## 2. CONNECT HOSE

Slide the hose back into the faucet.

Attach the weight to the hose approximately 26" from the loose end.

**NOTE:** You may move the weight to adjust the pull-out length of the hose.

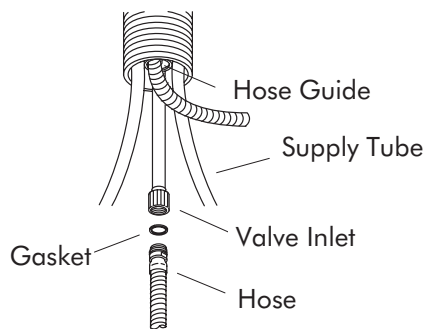
Carefully tighten the weight screws.



**NOTE:** Excessive bending of the faucet supply tubes may cause the hose guide to dislodge from inside the threaded shank. If this happens, reposition the hose guide.

Carefully bend the faucet supply tubes to permit access to the hose connection.

Thread the hose and gasket into the valve inlet. Do not twist the valve inlet copper tubing.

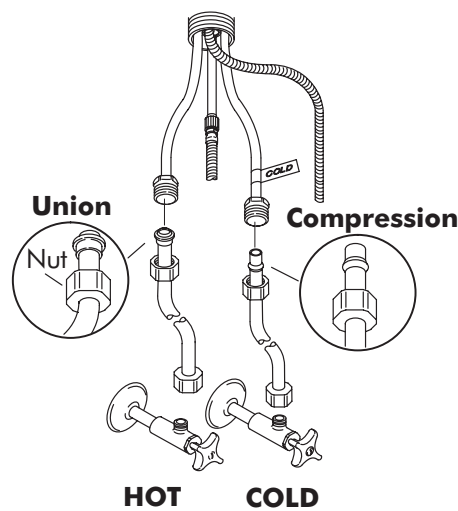


**IF THE SINK IS NOT INSTALLED, INSTALL IT AT THIS TIME. BE SURE TO FOLLOW ALL INSTRUCTIONS PACKED WITH THE SINK.**

### 3. CONNECT SUPPLIES

**CAUTION:** Risk of restricted water flow and product damage. Use extreme care when bending the supply tubes to avoid kinking.

Identify your supply connection type. Connect the supply tubes to the supply stops. (Left is hot – right is cold.) Tighten all connections.

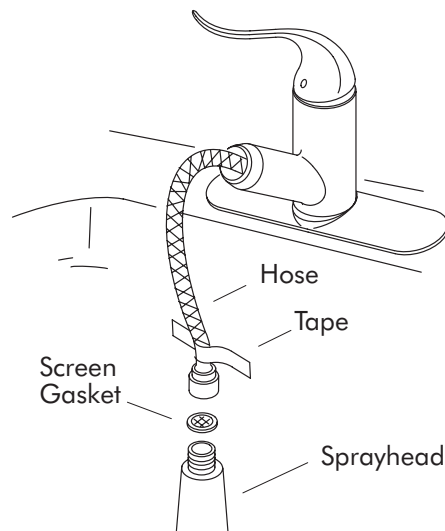


### 4. FLUSH LINES

Pull the sprayhead out to partially expose the hose. Position the hose in the sink to prevent it from sliding back into the faucet. Tie or tape the hose to the sink. Remove the sprayhead and screen gasket.

Turn on the hot and cold water supplies. Turn the faucet handle to the cold side and lift to the "ON" position. Run water through the faucet for about one minute to remove any debris. Without turning the water off, rotate the faucet to the hot side and flush for another minute.

Reinstall the screen gasket and sprayhead.



## 5. WATER TEMPERATURE ADJUSTMENT

**NOTE:** Prior to adjustment, make sure the handle is in the maximum hot position.

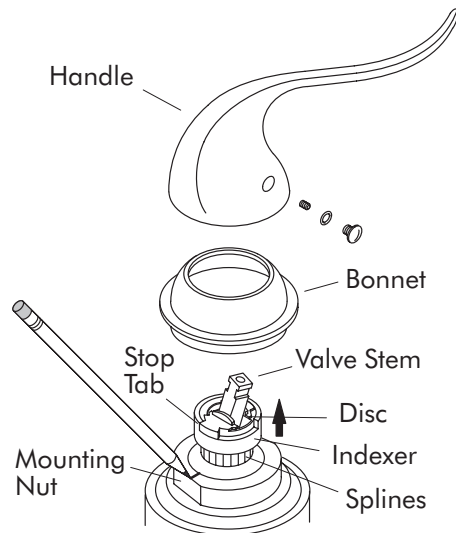
Remove the handle and bonnet. Turn the water to the maximum temperature by pushing the valve stem up and turning clockwise.

Mark the current position of the temperature stop tab (top edge) on the mounting nut with a marker or pencil. Lift both the indexer and the disc just enough to clear the splines and allow rotation.

**NOTE:** Each spline notch represents an average 9.5° F. temperature change.

Turn the indexer, disc, and valve stem counterclockwise until the desired temperature is achieved. Reinstall the indexer and the disc to the valve, making sure the disc is snapped fully into the indexer.

Turn off the water by pulling the valve stem down. Reinstall the bonnet and handle.





## **CALL US FOR HELP**

Questions? Problems? First review the installation instructions to ensure correct installation. For additional assistance in the USA, call our Customer Service Department for direct help. You may also contact us at our web site listed below.

**1-800-4-KOHLER**

THE BOLD LOOK  
OF **KOHLER**<sup>®</sup>  
[www.kohlerco.com](http://www.kohlerco.com)