

**BATHROOM SINK FAUCET
K-7443**

ADA **CSA B651** **OBC**

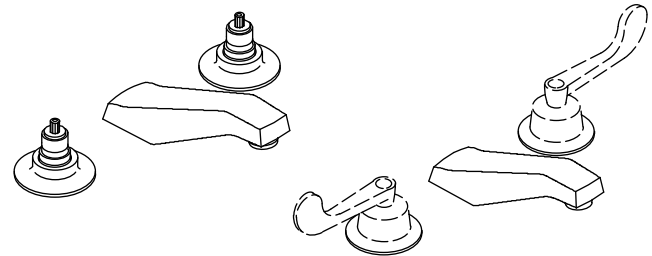
Features

- Brass construction
- Brass valve bodies
- Quarter-turn washerless ceramic disc valves
- Less drain and lift rod
- Available with standard or vandal-resistant Water-Guard® aerator
- Flexible connections for easy installation
- Variety of handle style options
- 5" (127 mm) spout reach
- 2.0 gallons (7.6 L) per minute flow rate

Codes/Standards Applicable

Specified model meets or exceeds the following:

- ADA
- ICC/ANSI A117.1
- CSA B651
- OBC
- ASME A112.18.1/CSA B125.1
- NSF 61
- Energy Policy Act of 2005



K-7443-K

K-7443-5A

Colors/Finishes

- CP: Polished Chrome

Accessories

- CP: Polished Chrome





Specified Model

Model	Description	Colors/Finishes
K-7443-K	Bathroom sink base faucet with standard aerator but without handles (shown)	<input type="checkbox"/> CP
K-7443-KE	Bathroom sink base faucet with vandal-resistant aerator but without handles	<input type="checkbox"/> CP
K-7443-2A	Bathroom sink faucet with standard aerator and standard handles	<input type="checkbox"/> CP
K-7443-5A	Bathroom sink faucet with standard aerator and wristblade lever handles (shown)	<input type="checkbox"/> CP

Product Specification

Two-handle widespread bathroom sink faucet shall be of brass construction. Faucet shall feature brass valve bodies. Faucet shall feature 2 gallons (7.5 L) per minute flow rate. Faucet shall feature quarter-turn washerless ceramic disc valves. Product shall be less drain and lift rod. Product shall include 5" (127 mm) spout and flexible connections. Faucet shall be available with standard or vandal-resistant Water-Guard® aerator. Product shall have a variety of handle style options available. Base faucet shall be Kohler Model K-7443-_____-CP with Kohler Model K-16012-_____-CP handles OR complete faucet shall be Kohler Model K-7443-_____-CP.

TRITON®

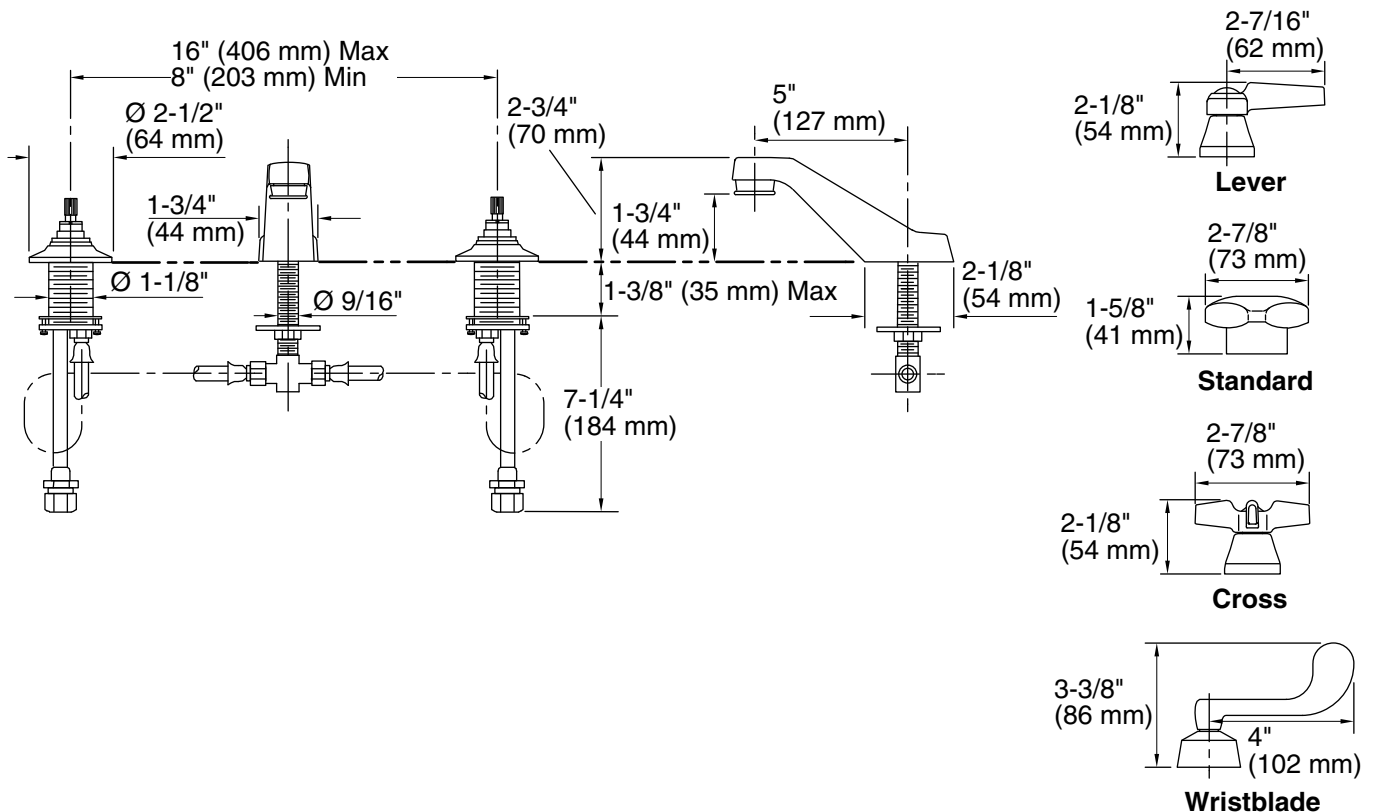
Required Accessories (Includes Two Handles)					
K-16012-2	Standard handles OR	<input type="checkbox"/> CP			
K-16012-3	Cross handles OR		<input type="checkbox"/> CP		
K-16012-4	Lever handles OR			<input type="checkbox"/> CP	
K-16012-5	Wristblade lever handles				<input type="checkbox"/> CP

Optional Accessories		
1160594	Large Spray 0.35 gpm (1.32 lpm) – Insert only	<input type="checkbox"/> NA
_____	Additional flow options are available (refer to the Price Book)	<input type="checkbox"/> NA

Installation Notes

Install this product according to the installation guide.

ADA, CSA B651, OBC compliant when installed to the specific requirements of these regulations.



Product Diagram