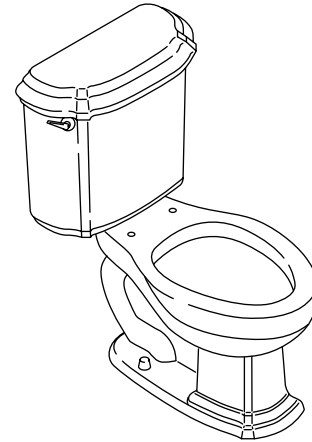


Features

- Vitreous china
- Combination toilet
- 12" (30.5 cm) rough-in
- 1.6 gpf (6 lpf)
- 2" (5.1 cm) glazed trapway
- Polished chrome trip lever
- Ingenium® flushing system
- Less seat and supply
- With Insuliner® insulated tank lining
- Elongated bowl
- 30" (76.2 cm) x 20-7/16" (51.9) x 32-5/8" (82.9 cm)



Codes/Standards Applicable

Specified model meets or exceeds the following:

- ASME A112.19.2/CSA B45.1

Colors/Finishes

- 0: White
- Other: Refer to Price Book for additional colors/finishes

Accessories

- 0: White
- BR: New England Brass™
- CP: Polished Chrome
- PB: Vibrant® Polished Brass
- Other: Refer to Price Book for additional colors/finishes

Specified Model

Model	Description	Trip Lever	Colors/Finishes
K-3591	Elongated bowl toilet	left-hand	<input type="checkbox"/> 0 <input type="checkbox"/> Other_____
K-3591-U	Elongated bowl toilet with Insuliner®	left-hand	<input type="checkbox"/> 0 <input type="checkbox"/> Other_____

Recommended Accessories			
K-4636	Closed-front toilet seat		<input type="checkbox"/> 0 <input type="checkbox"/> Other_____
K-4755	Solid oak toilet seat with cover	<input type="checkbox"/> BR	<input type="checkbox"/> CP <input type="checkbox"/> Other_____
K-7637	Angle supply with stop – 3/8" NPT connection	<input type="checkbox"/> CP	<input type="checkbox"/> PB <input type="checkbox"/> Other_____

Optional Accessories			
K-9437	Trip lever (non-CP)		<input type="checkbox"/> PB <input type="checkbox"/> Other_____

Product Specification

The elongated toilet combination shall be 30" (76.2 cm) in length, 20-7/16" (51.9) in width, and 32-5/8" (82.9 cm) in height. Toilet shall be made of vitreous china. Toilet shall feature a 12" (30.5 cm) rough-in, 2-1/8" (5.4 cm) glazed trapway, and polished chrome trip lever. Toilet shall feature a flush rate of 1.6 gpf (6 lpf) with Ingenium flushing system. Toilet shall be available with an Insuliner insulated tank lining [-U]. Toilet shall be less seat and supply. The toilet shall be Kohler Model K-3591-____ or K-3591-U-_____.

PORTRAIT®

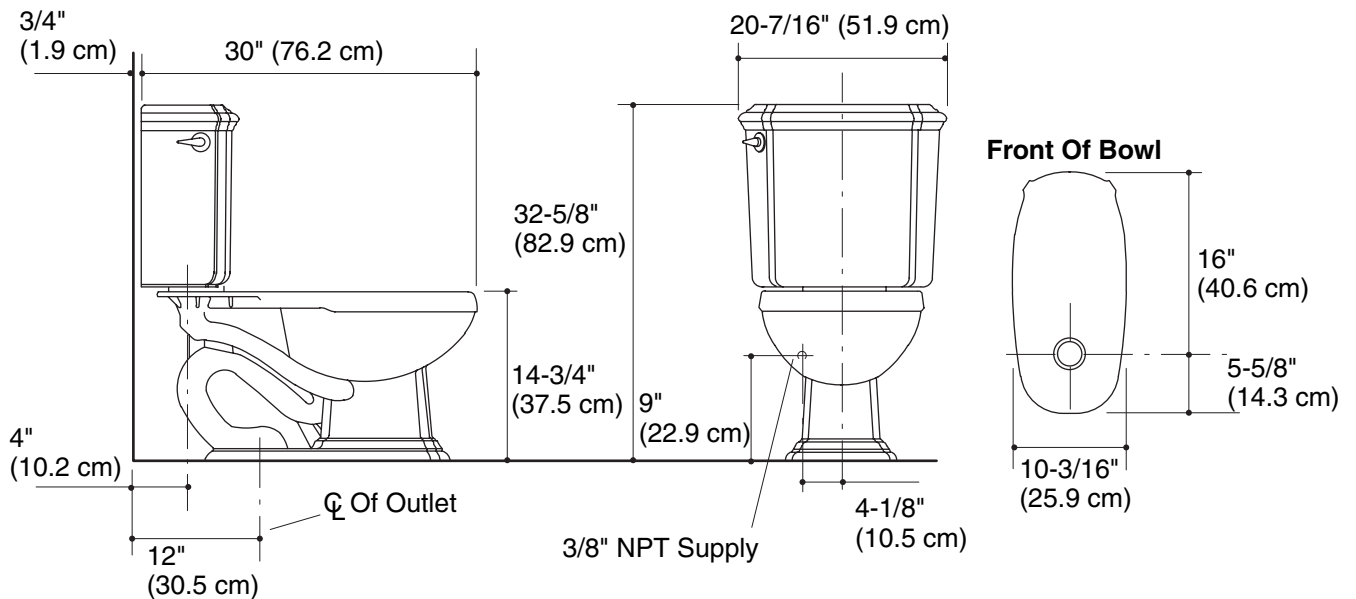
Technical Information

Fixture:	
Configuration	two-piece, elongated
Flush rate	1.6 gpf (6 lpf)
Passageway	2" (5.1 cm)
Water depth from rim	5-3/4" (14.6 cm)
Seat post hole centers	5-1/2" (14 cm)

Included components:	
Bowl	K-4317
Tank	K-4607
Tank cover	80625
Bolt cap accessory pack	1013092
Tank accessory pack	73062

Installation Notes

Install this product according to the installation guide.



Product Diagram