

MEMOIRS® STATELY

BATH AND SHOWER FAUCET TRIM

K-T461

ALSO K-T462, K-T463

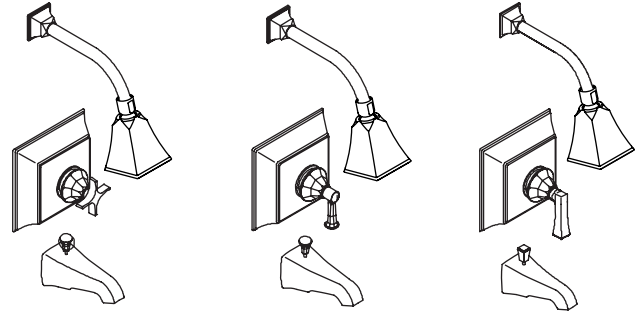
Features

- Metal construction
- Available with cross or lever handles
- Intended for use with Rite-Temp® or HiFlow Rite-Temp® valves

Codes/Standards Applicable

Specified model meets or exceeds the following:




- ASME A112.18.1/CSA B125.1
- IAPMO/UPC



Colors/Finishes

- CP: Polished Chrome
- Other: Refer to Price Book for additional colors/finishes
- NA: None applicable

Specified Model

Model	Description		 ADA	 ADA
K-T461-3S	Bath/shower trim, cross handle	<input type="checkbox"/> CP <input type="checkbox"/> Other ____		
K-T461-4S	Bath/shower trim, faceted lever handle		<input type="checkbox"/> CP <input type="checkbox"/> Other ____	
K-T461-4V	Bath/shower trim, deco lever handle			<input type="checkbox"/> CP <input type="checkbox"/> Other ____
K-T462-3S	Shower trim only, cross handle	<input type="checkbox"/> CP <input type="checkbox"/> Other ____		
K-T462-4S	Shower trim only, faceted lever handle		<input type="checkbox"/> CP <input type="checkbox"/> Other ____	
K-T462-4V	Shower trim only, deco lever handle			<input type="checkbox"/> CP <input type="checkbox"/> Other ____
K-T463-3S	Valve trim only, cross handle	<input type="checkbox"/> CP <input type="checkbox"/> Other ____		
K-T463-4S	Valve trim only, faceted lever handle		<input type="checkbox"/> CP <input type="checkbox"/> Other ____	
K-T463-4V	Valve trim only, deco lever handle			<input type="checkbox"/> CP <input type="checkbox"/> Other ____

Product Specification

Rite-Temp® pressure-balancing single-control bath and shower faucet trim shall be of metal construction. Bath and shower trim shall include showerhead with arm and flange, 6" (15.2 cm) diverter spout with NPT connection, and faceplate with handle. Shower only trim shall include showerhead with arm and flange, and faceplate with handle. Valve only trim shall include faceplate with handle. Faucet trim shall be K-T____-____-____ and Rite-Temp® valve shall be K-304-____-NA OR K-306-KS-NA HiFlow Rite-Temp® valve.

MEMOIRS® STATELY

Required Accessories			
K-304-K	Rite-Temp® valve without stops, NPT connections OR	<input type="checkbox"/> NA	
K-304-KS	Rite-Temp® valve with stops, NPT connections OR	<input type="checkbox"/> NA	
K-304-KP	Rite-Temp® valve with PVC connections OR	<input type="checkbox"/> NA	
K-306-KS	HiFlow Rite-Temp® valve with stops, NPT connection	<input type="checkbox"/> NA	
Recommended Accessories			
88526	HiFlow Rite-Temp® thin wall installation kit	<input type="checkbox"/> CP	<input type="checkbox"/> Other ____
Optional Accessories			
73418	Deep roughing-in kit for Rite-Temp® valve (all handles)	<input type="checkbox"/> CP	<input type="checkbox"/> Other ____

Installation Notes



WARNING: Risk of damage to the K-306-KS valve assembly. When using the K-306-KS valve in a fiberglass or acrylic installation, use the thin wall installation kit (88526).

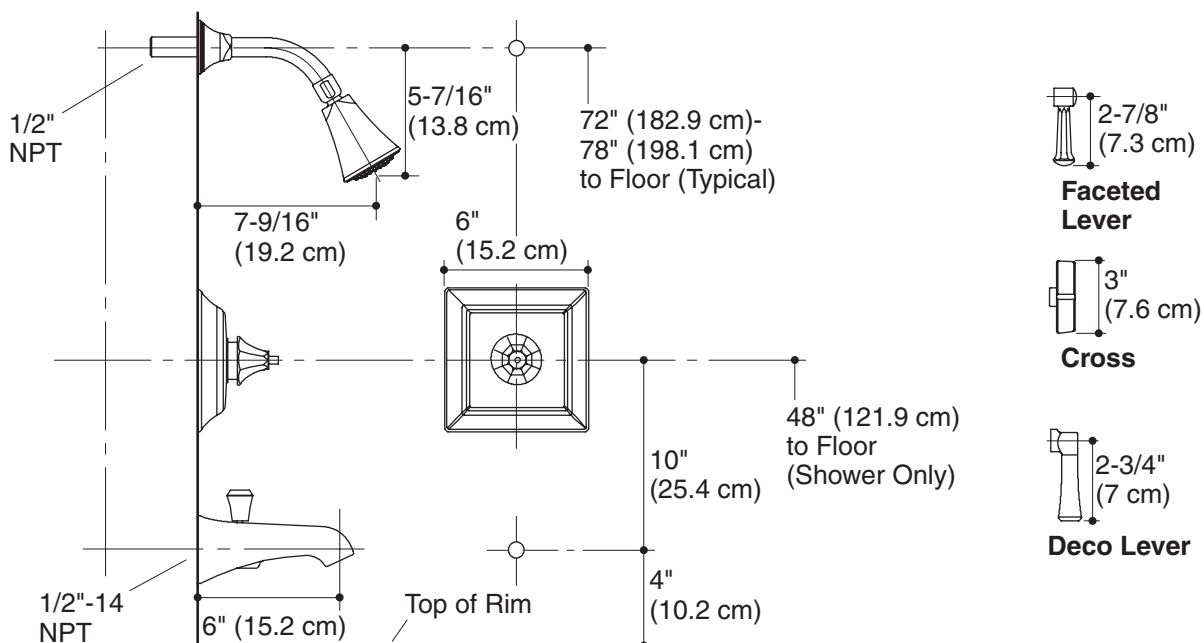
Avoid cross-flow conditions. Do not install shut-off device on either valve outlet.

Cap shower outlet if deck-mounted spout, diverter, or handshower is connected to the spout outlet.

Install straight pipe or tube drop of 7" (17.8 cm) to 18" (45.7 cm) with single elbow between valve and wall-mount spout.

Install this product according to the installation guide.

Install the Rite-Temp® valve according to the valve installation guide.



Product Diagram