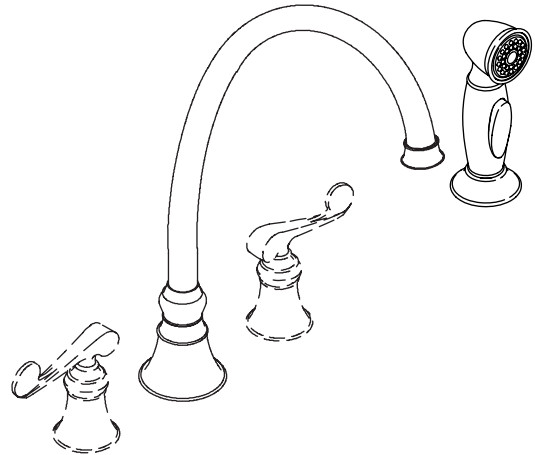


**KITCHEN SINK FAUCET  
K-16111**

**ADA**

**Features**

- Brass construction
- Brass valve bodies
- Quarter-turn washerless ceramic disc valves
- Handspray
- Available with ADA compliant scroll or traditional lever handles
- For 8" (20.3 cm) centers
- 11-13/16" (30 cm) swing spout
- Lower flow aerator options are available (refer to the Kohler Price Book)
- 2.2 gpm (8.3 lpm) maximum flow rate



**Codes/Standards Applicable**

Specified model meets or exceeds the following at date of manufacture:

- ADA
- ASME A112.18.1/CSA B125.1
- ICC/ANSI A117.1
- NSF 61
- Energy Policy Act of 1992



**Colors/Finishes**

- CP: Polished Chrome
- BN: Brushed Nickel
- BX: Vibrant® Brazen Bronze
- Other: Refer to Price Book for additional colors/finishes

**Accessories**

- NA: None applicable

**Specified Model**

Model	Description	 <b>ADA</b>			 <b>ADA</b>			
K-16111-4	Kitchen sink faucet – scroll handles and handspray	<input type="checkbox"/> CP	<input type="checkbox"/> BN	<input type="checkbox"/> Other ____				
K-16111-4A	Kitchen sink faucet – traditional handles and handspray				<input type="checkbox"/> CP	<input type="checkbox"/> BN	<input type="checkbox"/> BX	<input type="checkbox"/> Other ____

Optional Accessories		
40003	Wrench for long-stemmed ceramic valve bodies	<input type="checkbox"/> NA
1095353	Deep roughing-in kit for two-handle faucet and sidespray – fits 1-3/8" (3.5 cm) to 2-1/8" (5.4 cm) countertop thickness	<input type="checkbox"/> NA

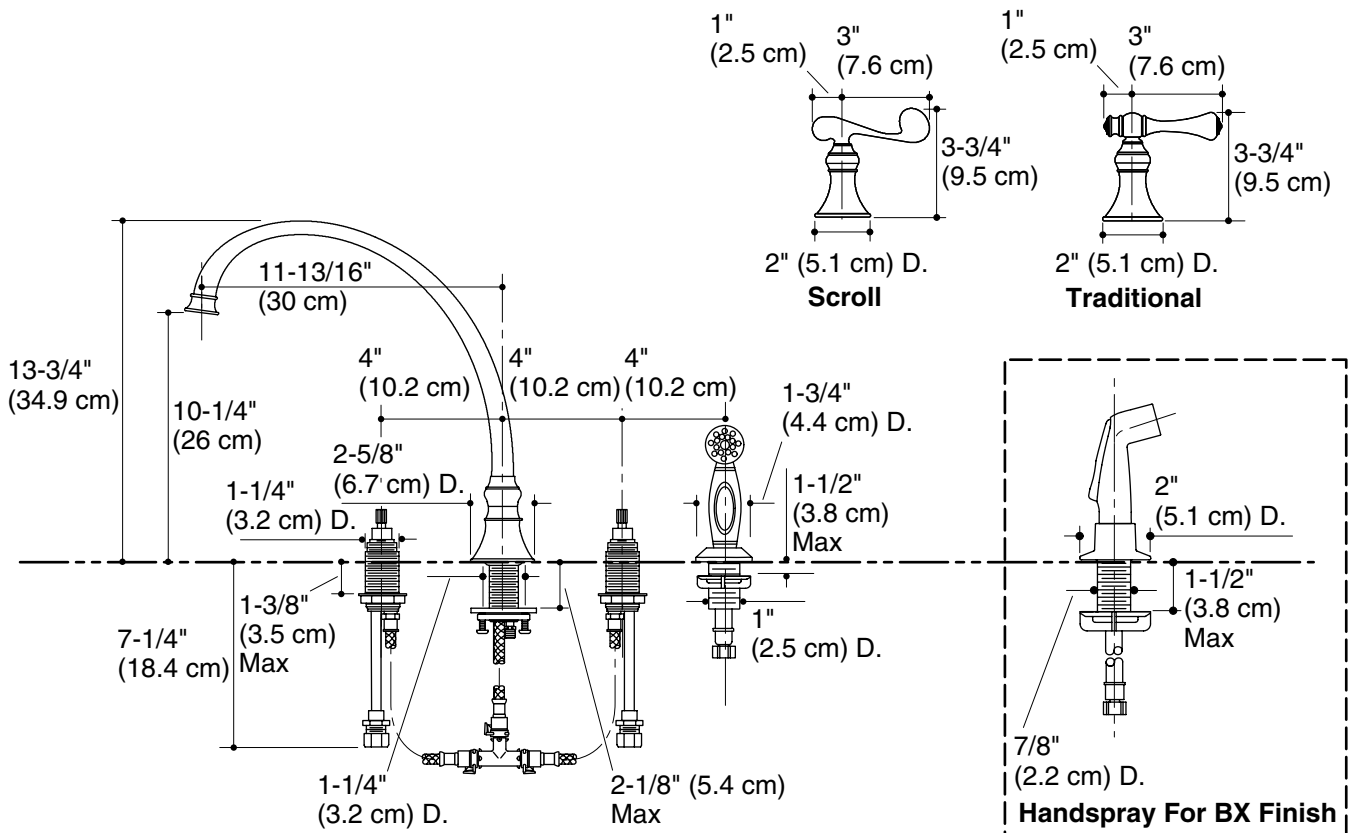
**Product Specification**

The two-handle kitchen sink faucet shall be of brass construction and brass valve bodies. Product shall have a maximum flow rate of 2.2 gallons (8.3 L) per minute with lower flow aerator options available (refer to the Kohler Price Book). Product shall feature quarter-turn washerless ceramic disc valves. Product shall feature a 11-13/16" (30 cm) swing spout and handspray. Product shall be available with ADA compliant scroll or traditional lever handles. Product shall be for 8" (20.3 cm) centers. Faucet shall be Kohler Model K-16111-\_\_\_\_-\_\_\_\_.

# REVIVAL®

## Installation Notes

Install this product according to the installation guide.



### Product Diagram