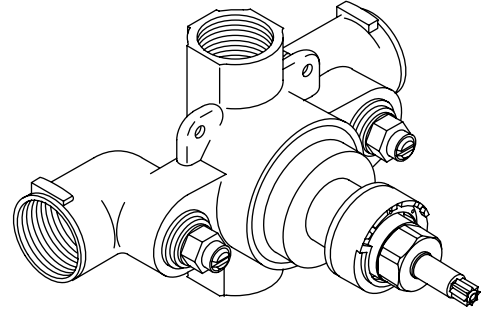


**3/4" THERMOSTATIC MIXING VALVE  
K-400-K**

**Features**

- Brass construction
- Wall-mount
- Brass valve body
- Single-handle control
- High-flow valving
- High-temperature limit setting for added safety
- Temperature-balancing mechanism
- Scald hazard prevention
- Screwdriver stops
- Crossflow prevention
- 3/4" NPT connections



**Codes/Standards Applicable**

Specified model meets or exceeds the following:

- ASME A112.18.1/CSA B125.1
- ASSE 1016
- IAPMO/cUPC

**Colors/Finishes**

- NA: None applicable

**Accessories**

- CP: Polished Chrome
- Other: Refer to Price Book for additional colors/finishes
- NA: None applicable

**Specified Model**

Model	Description	Colors/Finishes
K-400-K	3/4" thermostatic mixing valve less volume control	<input type="checkbox"/> NA
<b>Required Accessories</b>		
K-403-K	3/4" volume control valve (for use on bath and/or shower outlets)	<input type="checkbox"/> NA
<b>Optional Accessories</b>		
K-9663	Twin ell (for use with diverter bath spouts only)	<input type="checkbox"/> NA
88011	Deep roughing-in kit for K-400-K and K-402-K thermostatic mixing valves	<input type="checkbox"/> CP <input type="checkbox"/> Other ____

**Product Specification**

Single-handle wall-mount thermostatic mixing valve less volume control shall be of brass construction. Product shall feature a high-temperature limit setting, high-flow valving, brass valve body, temperature-balancing mechanism, and scald hazard prevention mechanism. Valve shall also feature screwdriver stops, crossflow prevention, and 3/4" NPT connections. Product shall be Kohler Model K-400-K-NA.

# MASTERSHOWER®

## Installation Notes

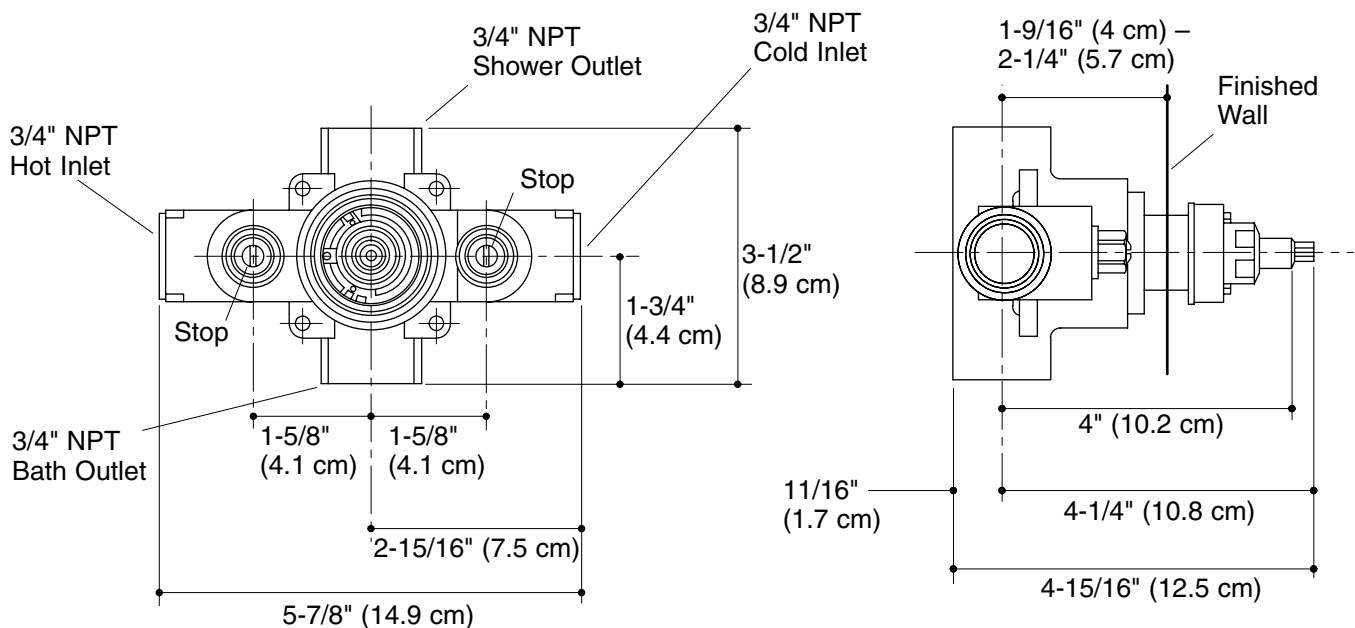
Install this product according to the installation guide.

The K-400-K thermostatic mixing valve requires a separate K-403-K volume control valve for each bath and/or shower outlet.

For bath-only or shower-only installations, a 3/4" NPT plug is required for the unused outlet.

For installations with diverter bath spout, a K-9663 twin ell is required between the valve and the spout.

**NOTE:** All shower functions should be piped from the top outlet. The bottom outlet should be used only as a bath filler. If the shower functions are piped from both the top and the bottom outlets and are run at the same time, unacceptable temperature differences will result.



## Product Diagram