

VOLUME CONTROL VALVE TRIM K-T9472

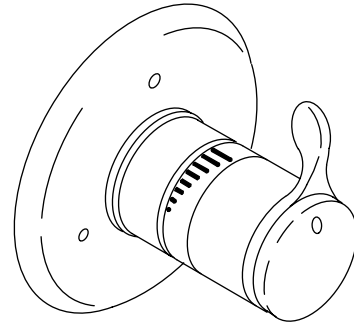
Features

- Brass construction
- Wall-mount
- Includes faceplate
- Available with lever or round handle

Codes/Standards Applicable

Specified model meets or exceeds the following:

- ASME A112.18.1/CSA B125.1
- IAPMO/cUPC



Colors/Finishes

- CP: Polished Chrome
- PB: Vibrant® Polished Brass
- Other: Refer to Price Book for additional colors/finishes

Accessories:

- NA: None applicable

Specified Model

Model	Description	ADA			Lever Handle			Round Handle		
		<input type="checkbox"/>	<input type="checkbox"/>	<input type="checkbox"/>	<input type="checkbox"/>	<input type="checkbox"/>	<input type="checkbox"/>	<input type="checkbox"/>	<input type="checkbox"/>	<input type="checkbox"/>
K-T9472-4	Volume control valve trim, lever handle	<input type="checkbox"/>	<input type="checkbox"/>	<input type="checkbox"/>	<input type="checkbox"/>	<input type="checkbox"/>	<input type="checkbox"/>	<input type="checkbox"/>	<input type="checkbox"/>	<input type="checkbox"/>
K-T9472-7	Volume control valve trim, round handle	<input type="checkbox"/>	<input type="checkbox"/>	<input type="checkbox"/>	<input type="checkbox"/>	<input type="checkbox"/>	<input type="checkbox"/>	<input type="checkbox"/>	<input type="checkbox"/>	<input type="checkbox"/>
Required Accessories										
K-403-K	3/4" volume control valve	<input type="checkbox"/> NA								

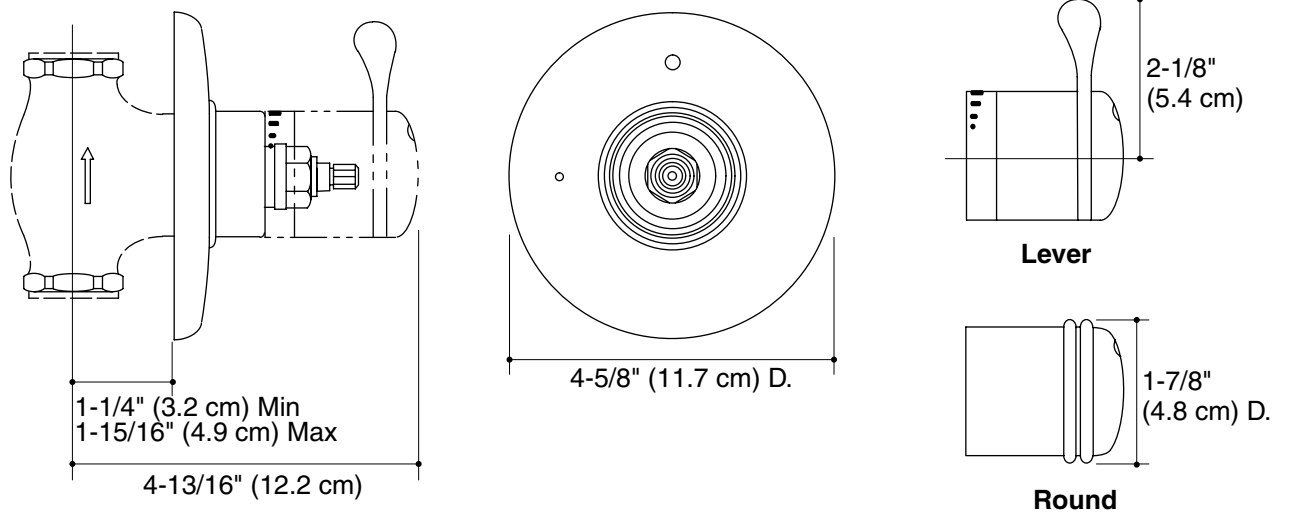
Product Specification

Volume control valve trim shall be of brass construction. Trim shall include faceplate and be available with lever or round handle. Faucet trim shall be Kohler Model K-T9472 _____ - _____ and volume control valve shall be K-403-K-NA.

MASTERSHOWER®

Installation Notes

Install this product according to the installation guide.



Product Diagram