

**THERMOSTATIC MIXER TRIM
K-T9493**

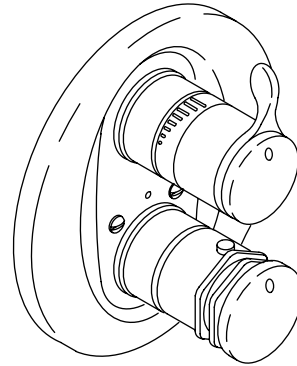
Features

- Brass construction
- Wall-mount
- Available with lever handle or round handle

Codes/Standards Applicable

Specified model meets or exceeds the following:

- ASME A112.18.1/CSA B125.1
- IAPMO/UPC
- CSA International




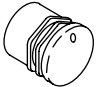
Colors/Finishes

- CP: Polished Chrome
- PB: Vibrant® Polished Brass
- Other: Refer to Price Book for additional colors/finishes

Accessories

- CP: Polished Chrome
- Other: Refer to Price Book for additional colors/finishes
- NA: None applicable

Specified Model

Model	Description						
K-T9493-4	Thermostatic mixer trim, with lever handle	<input type="checkbox"/> CP	<input type="checkbox"/> PB	<input type="checkbox"/> Other_____			
K-T9493-7	Thermostatic mixer trim, with round handle				<input type="checkbox"/> CP	<input type="checkbox"/> PB	<input type="checkbox"/> Other_____
Required Accessories							
K-401-K	3/4" thermostatic mixer with volume control	<input type="checkbox"/> NA					

Product Specification

Two-handle wall-mount thermostatic mixer trim shall be of brass construction. Trim shall be available with lever or round handle. Faucet trim shall be Kohler Model K-T9493-_____-_____- and thermostatic mixer shall be K-401-K-NA.

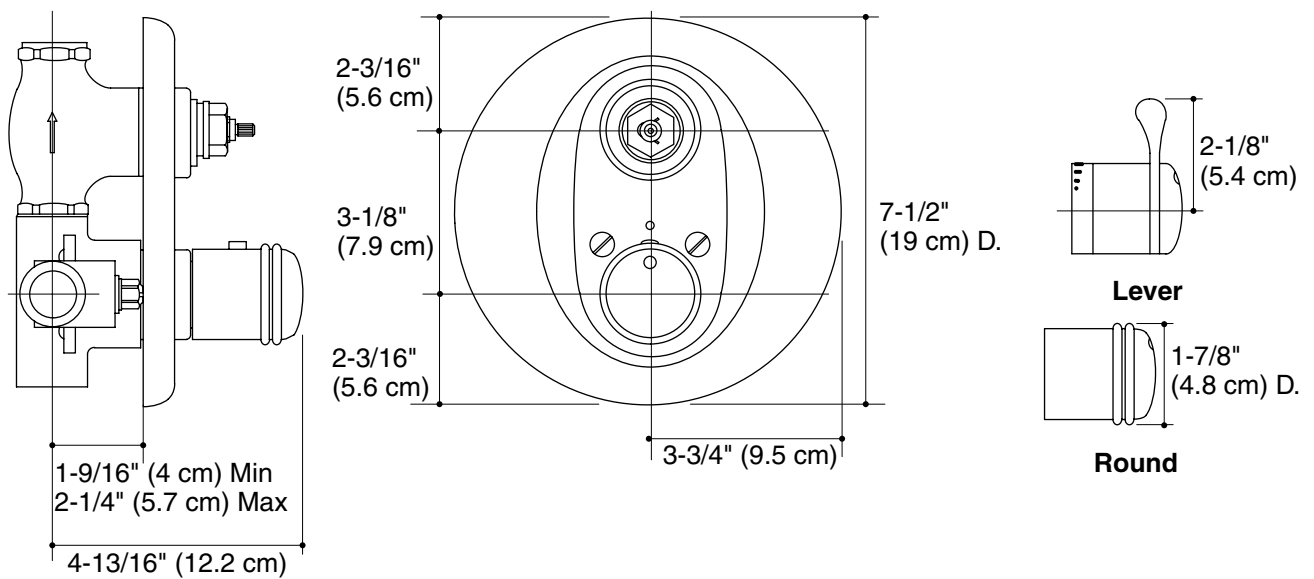
MASTERSHOWER®

Optional Accessories

88012	Deep roughing-in kit for K-401-K thermostatic mixing valves with volume control	<input type="checkbox"/> CP	<input type="checkbox"/> Other_____
-------	---	-----------------------------	-------------------------------------

Installation Notes

Install this product according to the installation guide.



Product Diagram