

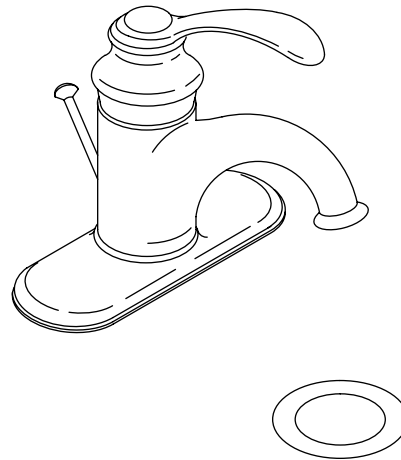
Features

- Metal construction
- One-piece, self-contained ceramic disc valve allows both volume and temperature control
- Temperature memory allows faucet to be turned on and off at any temperature setting
- High-temperature limit setting for added safety
- 2.2 gallons (8.3 L) per minute maximum flow rate
- Lower flow aerator options are available (refer to the Kohler Price Book)
- Lever handle
- Available with single-hole escutcheon ring or 6" (15.2 cm) escutcheon plate
- 5" (12.7 cm) spout reach

SINGLE CONTROL LAVATORY FAUCET

K-12181
ALSO K-12182

ADA



Codes/Standards Applicable

Specified model meets or exceeds the following:

- ASME A112.18.1
- CSA B125
- IAPMO/UPC
- NSF 61
- Energy Policy Act of 1992
- CSA International
- ADA

Colors/Finishes

- CP: Polished Chrome
- PB: Vibrant® Polished Brass
- Other: Refer to Price Book for additional colors/finishes

Accessories

- CP: Polished Chrome
- Other: Refer to Price Book for additional colors/finishes

Specified Model

Model	Description	Colors/Finishes		
K-12181	Lavatory faucet with escutcheon plate and metal drain	<input type="checkbox"/> CP	<input type="checkbox"/> PB	<input type="checkbox"/> Other _____
K-12181-D	Lavatory faucet with escutcheon plate and plastic drain	<input type="checkbox"/> CP	<input type="checkbox"/> PB	<input type="checkbox"/> Other _____
K-12182	Lavatory faucet with escutcheon ring and metal drain	<input type="checkbox"/> CP	<input type="checkbox"/> PB	<input type="checkbox"/> Other _____
K-12182-D	Lavatory faucet with escutcheon ring and plastic drain	<input type="checkbox"/> CP	<input type="checkbox"/> PB	<input type="checkbox"/> Other _____

Product Specification

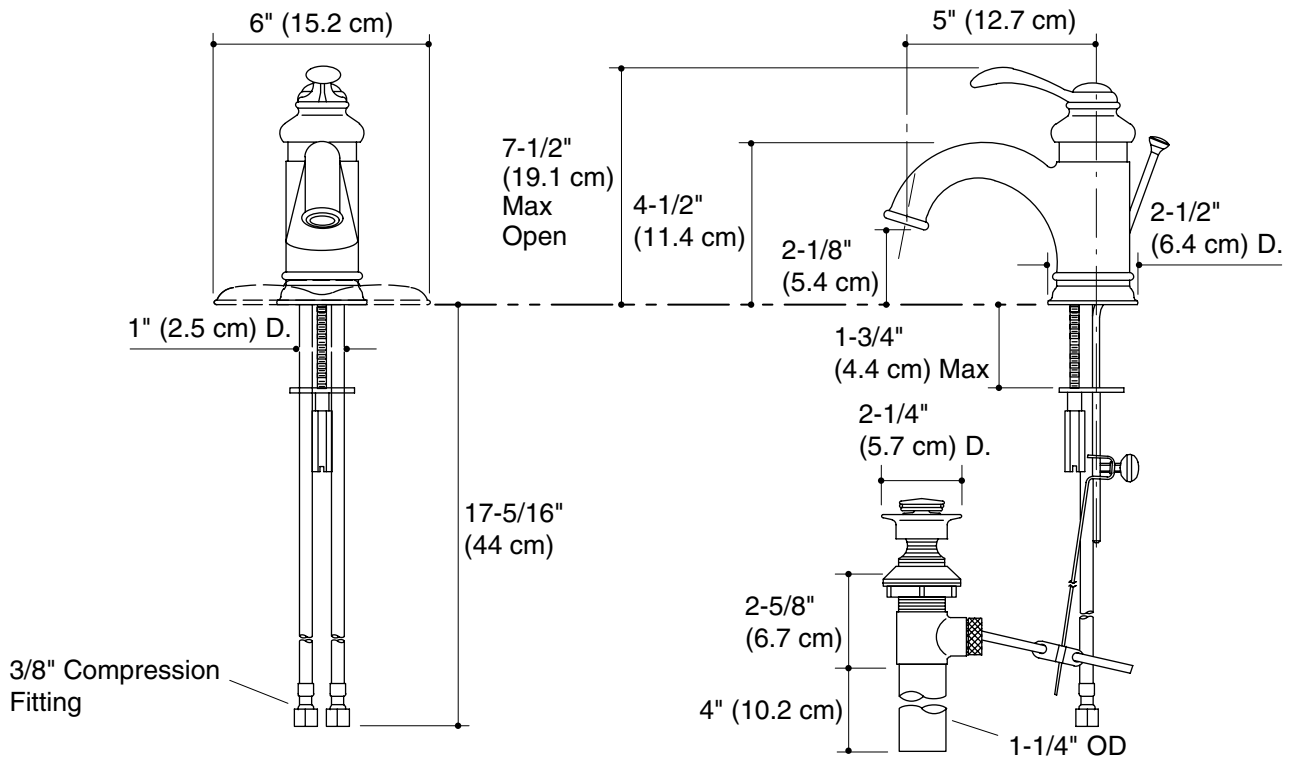
Single control lavatory faucet shall be of metal construction. The valve shall be a one-piece, self-contained ceramic disc valve, and allows both volume and temperature control. The valve shall feature temperature memory, allowing the faucet to be turned on and off at any temperature setting, and includes a high-temperature limit stop. Faucet shall have a 2.2 gallons (8.3 L) per minute flow rate. Product shall have lower flow aerator options. Product shall include 5" (12.7 cm) spout and lever handle. Product shall be available with single-hole escutcheon ring or 6" (15.2 cm) escutcheon plate. Faucet shall be Kohler Model K-_____-_____.

FAIRFAX®

Optional Accessories			
K-12001	Plug button	<input type="checkbox"/> Other _____	
78049	Escutcheon converts Fairfax® K-12182 to a K-12181	<input type="checkbox"/> CP	<input type="checkbox"/> Other _____

Installation Notes

Install this faucet following the installation instructions provided.



Product Diagram