

**TRADITIONAL KITCHEN SINK  
FAUCET  
K-377**

**ADA**

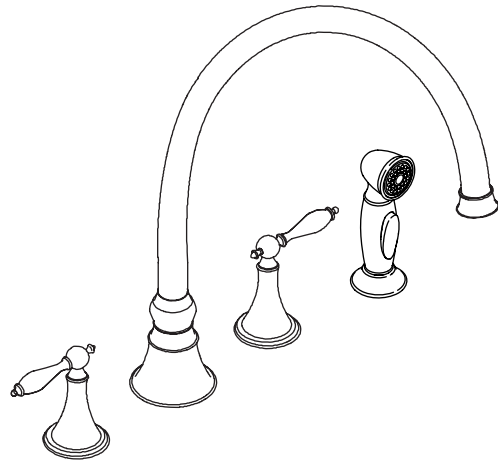
**Features**

- Brass construction
- Brass valve bodies
- Quarter-turn washerless ceramic disc valves
- For 8" (20.3 cm) centers
- 9-3/16" (23.3 cm) swing spout reach
- ADA compliant lever handles
- Flexible connections for easy installation
- Matching finish sidespray
- Lower flow aerator options are available (refer to the Kohler Price Book)
- 2.2 gpm (8.3 lpm) maximum flow rate

**Codes/Standards Applicable**

Specified model meets or exceeds the following at date of manufacture:

- ADA
- ASME A112.18.1/CSA B125.1
- ICC/ANSI A117.1
- NSF 61
- Energy Policy Act of 1992
- All applicable US Federal and State material regulations



**Colors/Finishes**

- CP: Polished Chrome
- BN: Brushed Nickel

**Accessories**

- NA: None applicable

**Specified Model**

| Model    | Description   | Colors/Finishes             |                             |
|----------|---|-----------------------------|-----------------------------|
| K-377-4M | Traditional kitchen sink faucet – lever handles                           | <input type="checkbox"/> CP | <input type="checkbox"/> BN |
| K-377-4P | Traditional kitchen sink faucet – lever handles with white handle inserts | <input type="checkbox"/> CP | <input type="checkbox"/> BN |

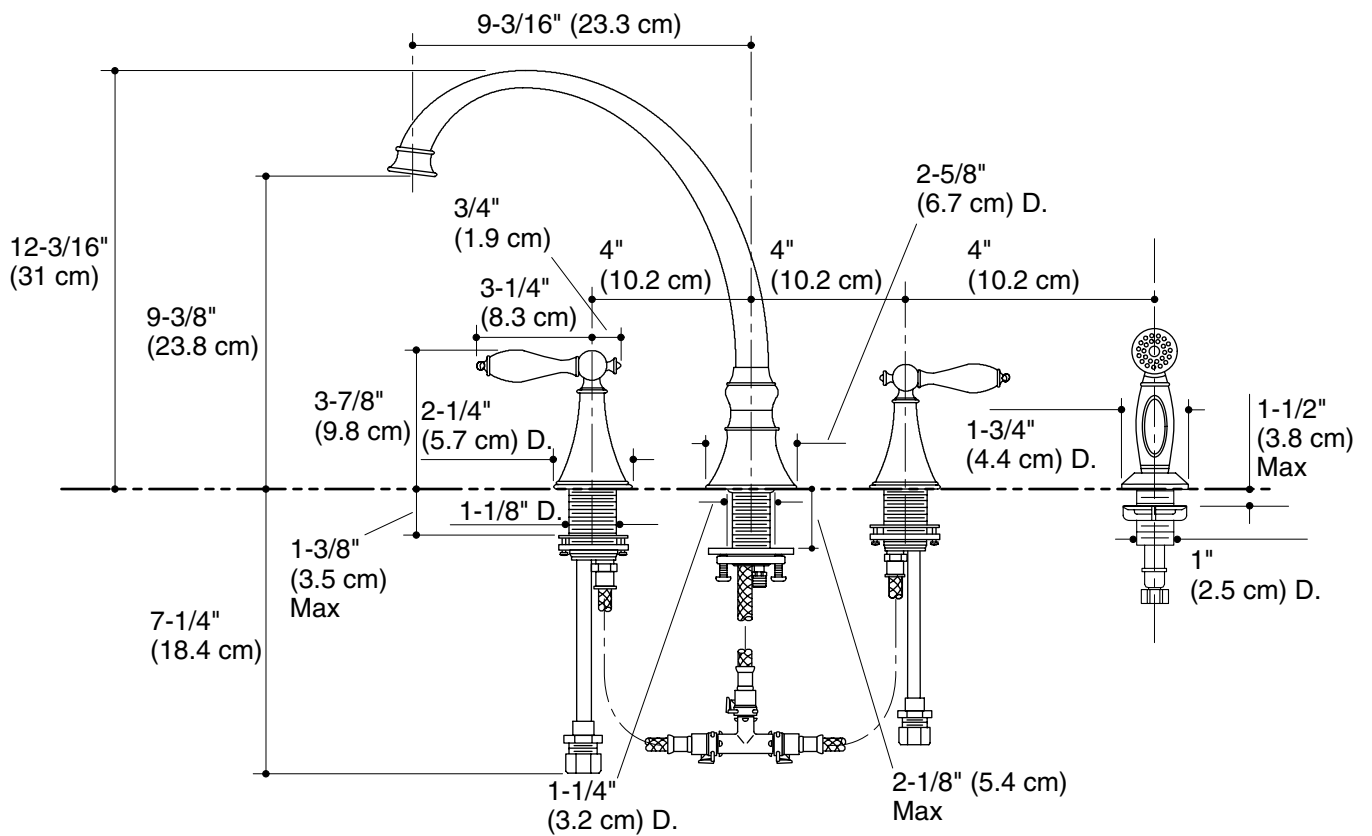
| Optional Accessories |   |                             |
|----------------------|---|-----------------------------|
| 1095353              | Deep roughing-in kit for two-handle faucet and sidespray – fits 1-3/8" (3.5 cm) to 2-1/8" (5.4 cm) countertop thickness | <input type="checkbox"/> NA |

**Product Specification**

The two-handle kitchen sink faucet shall be of brass construction and brass valve bodies. Product shall have a maximum flow rate of 2.2 gallons (8.3 L) per minute with lower flow aerator options available (refer to the Kohler Price Book). Product shall feature quarter-turn washerless ceramic disc valves, 9-3/16" (23.3 cm) swing spout reach, ADA compliant lever handles, flexible connections for easy installation, and matching finish sidespray. Product be for 8" (20.3 cm) centers. Faucet shall be Kohler Model K-377-4\_\_\_\_-\_\_\_\_.

## Installation Notes

Install this product according to the installation guide.



**Product Diagram**