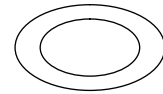
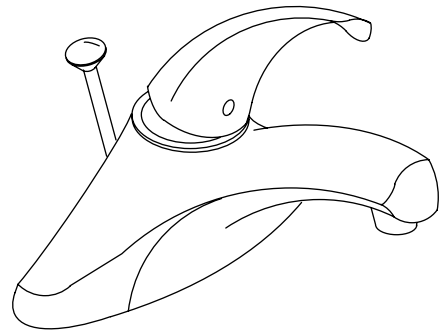


**CENTERSET LAVATORY FAUCET
K-15182
ALSO K-P15182**

Features

- Metal construction
- One-piece, self-contained ceramic disc valve allows both volume and temperature control
- Temperature memory allows faucet to be turned on and off at any temperature setting
- High-temperature limit setting for added safety
- ADA compliant lever handle
- Stationary spout
- Available with flexible connections or ground joints
- Available with red/blue indexing
- 4-1/4" (10.8 cm) stationary spout reach
- Available with a metal or plastic pop-up drain
- Available in quantities of six [K-P15682]
- 1.5 gallons (5.7 liters) per minute maximum flow rate



Codes/Standards Applicable

Specified model meets or exceeds the following at date of manufacture:

- ADA
- ASME 112.18.1/CSA B125
- ICC/ANSI A117.1
- NSF 61
- Energy Policy Act of 1992
- All applicable US Federal and State material regulations
- EPA WaterSense®

Colors/Finishes

- CP: Polished Chrome
- Other: Refer to Price Book for additional colors/finishes

Specified Model

Model	Description	Colors/Finishes	
		<input type="checkbox"/> CP	<input type="checkbox"/> Other ____
K-15182-F	Centerset lavatory faucet – flexible connections, metal drain	<input type="checkbox"/> CP	<input type="checkbox"/> Other ____
K-15182-P	Centerset lavatory faucet – ground joints, metal drain	<input type="checkbox"/> CP	<input type="checkbox"/> Other ____
K-15182-XF	Centerset lavatory faucet – flexible connections, red/blue indexing, metal drain	<input type="checkbox"/> CP	
K-15182-XP	Centerset lavatory faucet – ground joints, red/blue indexing, metal drain	<input type="checkbox"/> CP	
K-P15182-F	Centerset lavatory faucet – quantity 6 – flexible connections, metal drain	<input type="checkbox"/> CP	<input type="checkbox"/> Other ____
K-P15182-FD	Centerset lavatory faucet – quantity 6 – flexible connections, plastic drain	<input type="checkbox"/> CP	<input type="checkbox"/> Other ____
K-P15182-P	Centerset lavatory faucet – quantity 6 – ground joints, metal drain	<input type="checkbox"/> CP	<input type="checkbox"/> Other ____

Product Specification

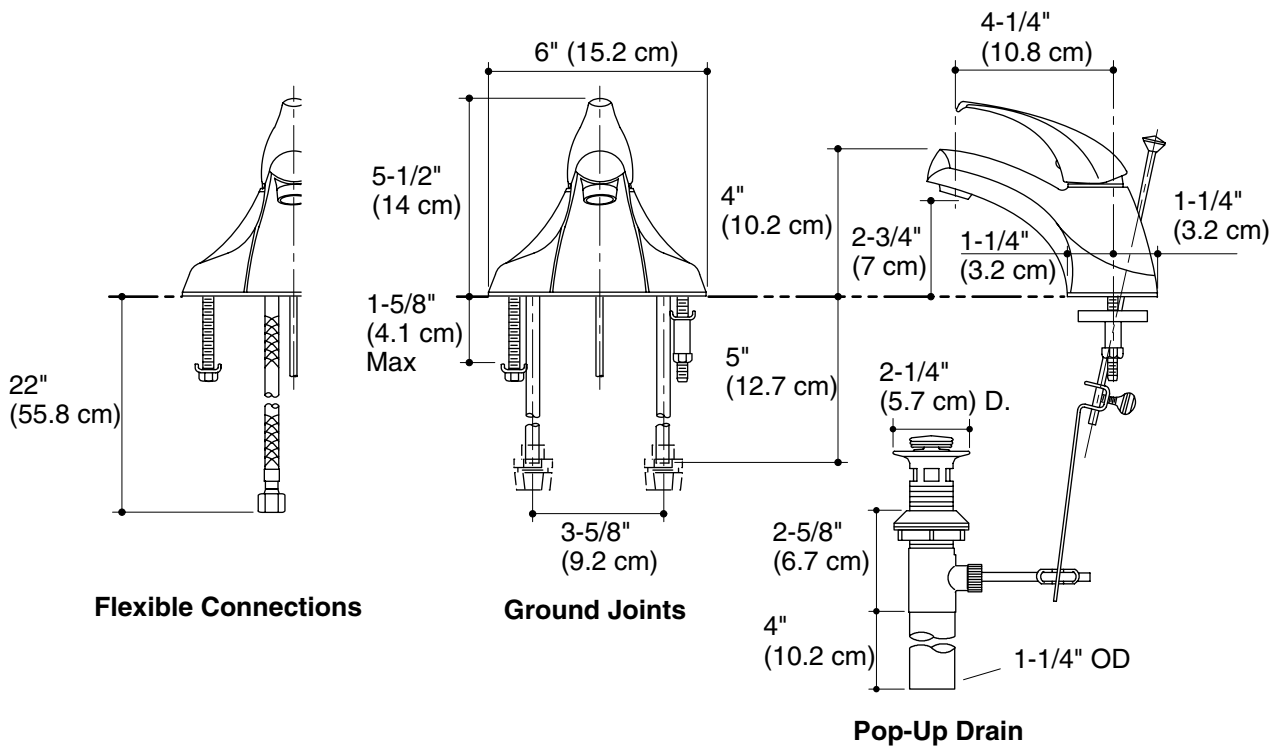
The single-control centerset lavatory faucet shall be of metal construction. Product shall have a maximum flow rate of 1.5 gallons (5.7 L) per minute. Product shall feature a one-piece, self-contained ceramic disc valve which allows both volume and temperature control. Product shall feature temperature memory, which allows the faucet to be turned on and off at any temperature setting. Product shall include an ADA compliant lever handle, 4-1/4" (10.8 cm) stationary spout reach, and high-temperature limit setting for added safety. Product shall be available with flexible connections or ground joints and be available with red/blue indexing. Product shall be available with a metal or plastic pop-up drain and be available in quantities of six [K-P15682]. Product shall be for 4" (10.2 cm) centers. Faucet shall be Kohler Model K-15182-____-____ or K-P15182-____-____.

CORALAIS®

K-P15182-PD	Centerset lavatory faucet – quantity 6 – ground joints, plastic drain	<input type="checkbox"/> CP	<input type="checkbox"/> Other ____
K-P15182-XF	Centerset lavatory faucet – quantity 6 – flexible connections, red/blue indexing, metal drain	<input type="checkbox"/> CP	
K-P15182-XFD	Centerset lavatory faucet – quantity 6 – flexible connections, red/blue indexing, plastic drain	<input type="checkbox"/> CP	
K-P15182-XP	Centerset lavatory faucet – quantity 6 – ground joints, red/blue indexing, metal drain	<input type="checkbox"/> CP	
K-P15182-XPD	Centerset lavatory faucet – quantity 6 – ground joints, red/blue indexing, plastic drain	<input type="checkbox"/> CP	

Installation Notes

Install this product according to the installation guide.



Product Diagram