

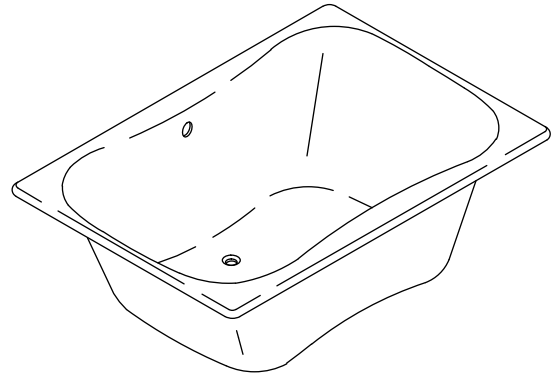
Features

- Acrylic
- Optional K-1491 removable bath pillow
- 59-1/2" (1511 mm) x 41-5/8" (1057 mm) x 21" (533 mm)

Codes/Standards Applicable

Specified model meets or exceeds the following:

- CSA B45.5/IAPMO Z124



Colors/Finishes

- 0: White
- Other: Refer to Price Book for additional colors/finishes

Accessories

- 0: White
- CP: Polished Chrome
- PB: Vibrant® Polished Brass
- NA: None applicable
- Other: Refer to Price Book for additional colors/finishes

Specified Model

Model	Description	Colors/Finishes
K-1449	Bath	<input type="checkbox"/> 0 <input type="checkbox"/> Other_____
Recommended Accessories		
K-7161-AF	Pop-up drain	<input type="checkbox"/> CP <input type="checkbox"/> PB <input type="checkbox"/> Other_____
Optional Accessories		
K-1179	Vinyl tiling-in bead (use when wall material contacts any top surface of bath)	<input type="checkbox"/> NA
K-1491	Removable pillow	<input type="checkbox"/> 0 <input type="checkbox"/> Other_____

Product Specification

The acrylic bath shall be 59-1/2" (1511 mm) in length, 41-5/8" (1057 mm) in width, and 21" (533 mm) in height. The bath shall have an optional K-1491 removable bath pillow. The bath shall be Kohler Model K-1449-_____.

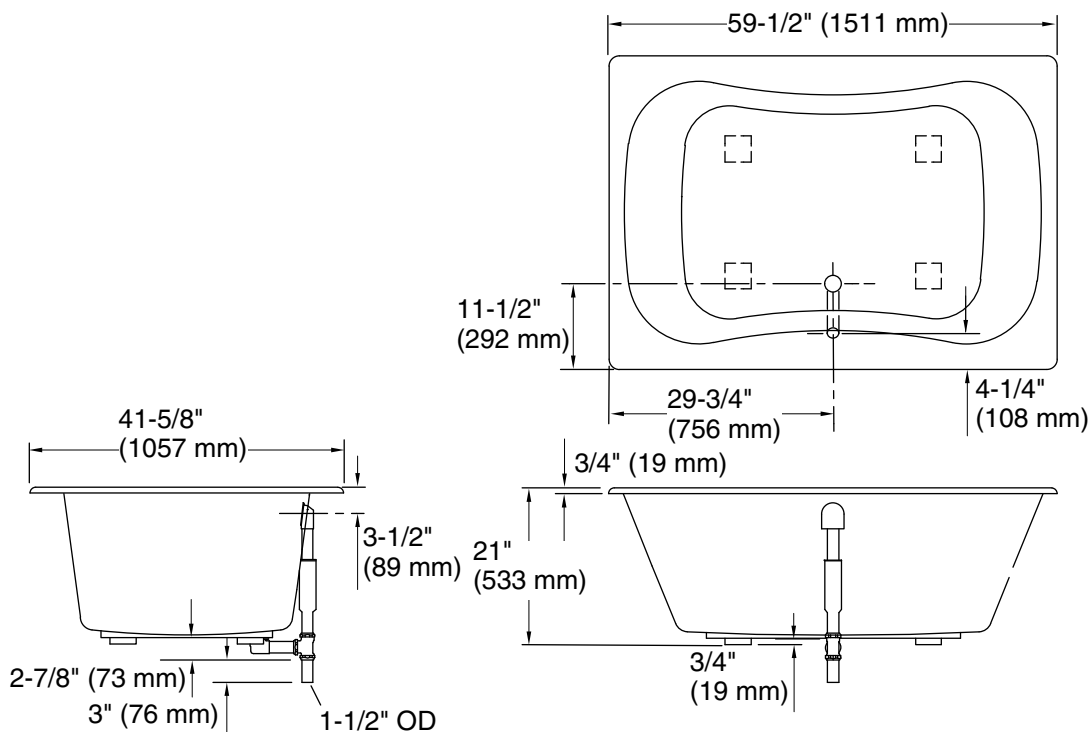
INFINITY ∞ BATH™

Technical Information

Fixture*:	
Bathing well:	
Basin area, bottom	41" (1041 mm) x 29" (737 mm)
Basin area, top	56" (1422 mm) x 36" (914 mm)
Weight	100 lbs (45.4 kg)
To overflow:	
Water depth	15" (381 mm)
Capacity	85 gal (321.8 L)
Drop-in cut-out	58" (1473 mm) x 40" (1016 mm)
* Approximate measurements for comparison only.	

Installation Notes

Install this product according to the installation guide.
 Floor support under bath must provide a minimum of 49 lbs/square foot (237 kg/square meter).



Product Diagram