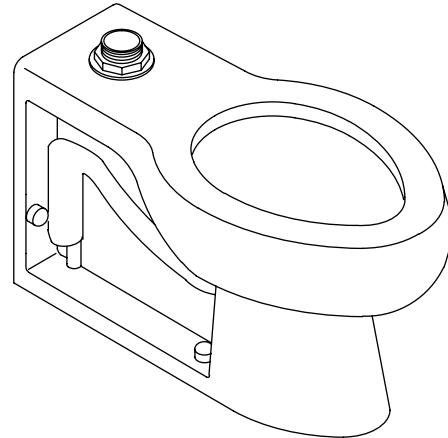


#### Features

- Vitreous china
- Elongated bowl
- Angle back and wall outlet
- Integral seat
- 1-1/2" top spud
- 4-1/2" (11.4 cm) rough-in
- 11" (27.9 cm) x 9-1/2" (24.1 cm) water area
- 2-3/8" (6 cm) passageway
- 1.6 gpf (6 lpf)
- 27-1/2" (69.9 cm) x 14-1/2" (36.8 cm) x 15" (38.1 cm)



#### Codes/Standards Applicable

Specified model meets or exceeds the following:

- ASME A112.19.2/CSA B45.1

#### Colors/Finishes

- 0: White

#### Specified Model

Model	Description	Colors/Finishes
K-4388	Elongated bowl toilet with integral seat	<input type="checkbox"/> 0
Recommended Accessories		
21401	Floor bolts (pair)	

#### Product Specification

The elongated bowl shall be 4-1/2" (11.4 cm) rough-in with a 1-1/2" top spud. Bowl shall be made of vitreous china. Bowl shall be 1.6 gpf (6 lpf). Bowl shall have a 2-3/8" (6 cm) passageway. Bowl shall have 11" (27.9 cm) by 9-1/2" (24.1 cm) water area. Bowl shall have angle back and wall outlet. Bowl shall have integral seat. Bowl shall be 27-1/2" (69.9 cm) in length, 14-1/2" (36.8 cm) in width, and 15" (38.1 cm) in height. Bowl shall be Kohler Model K-4388-0.

# ANGLESEY™

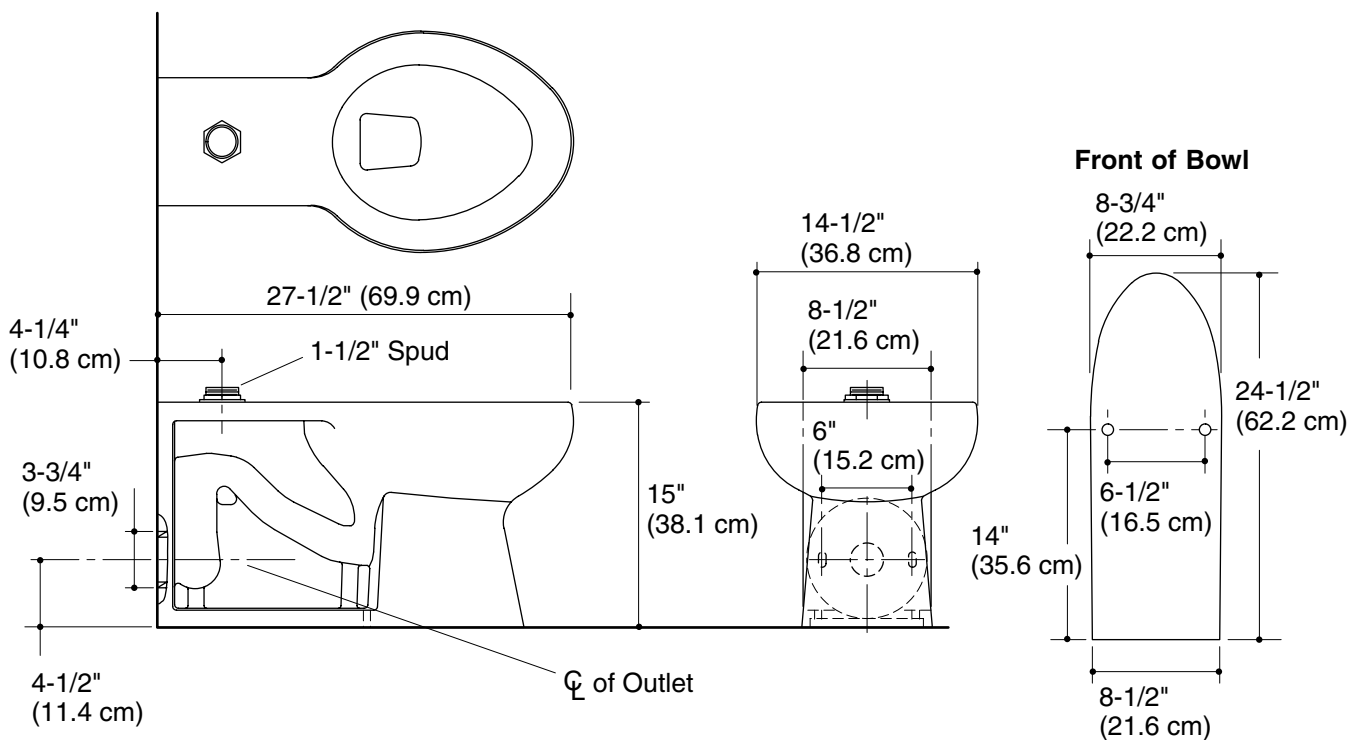
## Technical Information

Fixture:	
Configuration	Top spud, elongated with integral seat
Water per flush	1.6 gal (6 L)*
Spud size	1-1/2"
Passageway	2-3/8" (6 cm)
Water area	11" (27.9 cm) x 9-1/2" (24.1 cm)
Water depth from rim	5-1/4" (13.3 cm)
* Designed to flush with 1.6 gal (6 L) of water when installed with a 1.6 gpf (6 lpf) valve.	

Included components:	
Spud	18357
Bolt caps (pair)	52048
Floor screws (pair)	21402

## Installation Notes

Install this product according to the installation guide. Refer to manufacturer and local codes for flush valve requirements.



## Product Diagram