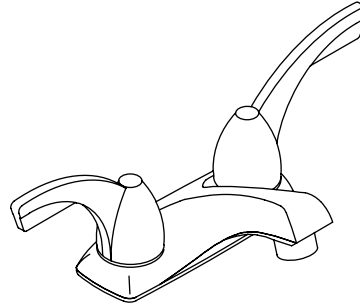


Features

- Metal construction
- For 4" (10.2 cm) centers
- Reversible quarter-turn washerless ceramic disc valves
- Metal throatplate
- 2.0 gallons (7.6 L) per minute flow rate [max at 60 psi (4.14 bar)]
- Lower flow aerator options are available (refer to the Kohler Price Book)
- Grid drain with tailpiece
- 3-5/8" (9.2 cm) spout
- Vandal-resistant wristblade handles and aerator
- Red and blue index buttons



Codes/Standards Applicable

Specified model meets or exceeds the following:

- ASME A112.18.1
- Energy Policy Act of 1992
- NSF 61
- ADA



Colors/Finishes

- CP: Polished Chrome

Specified Model

Model	Description	Color/Finish
K-15636	Centerset lavatory faucet	<input type="checkbox"/> CP

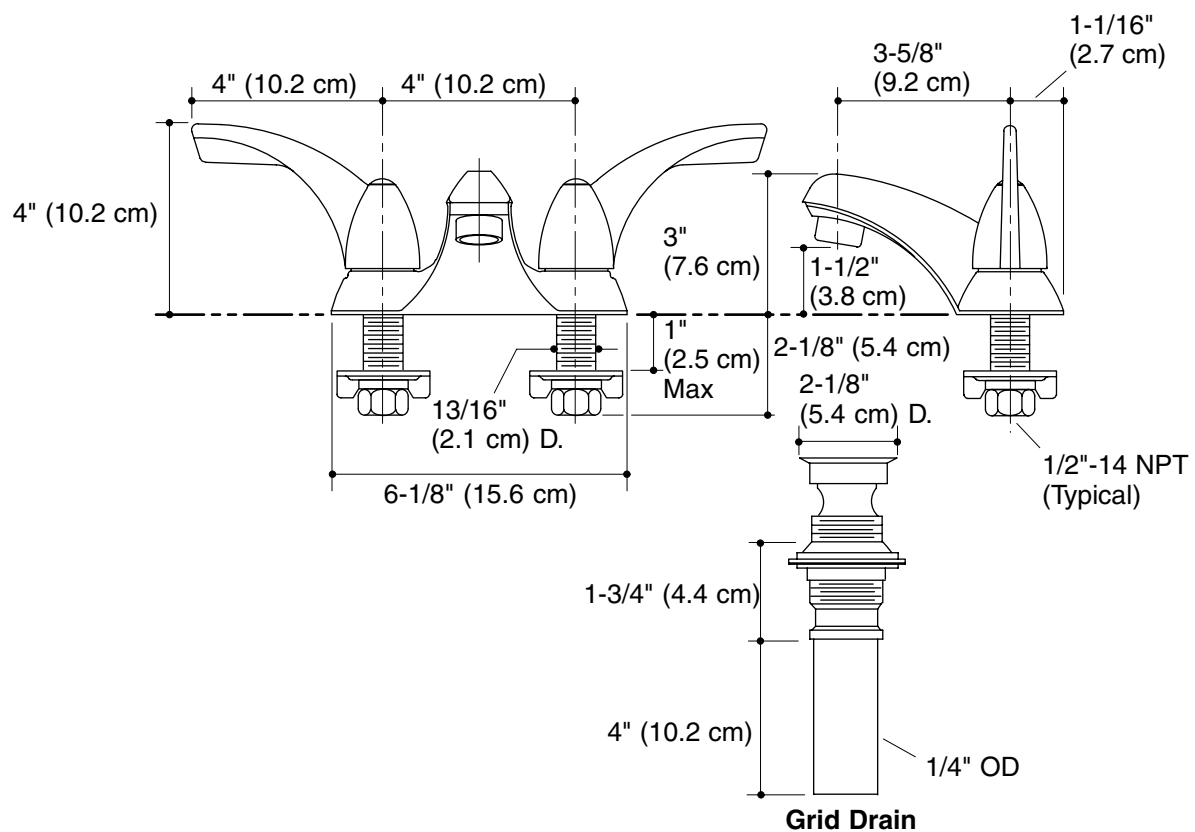
Product Specification

Two-handle centerset lavatory faucet shall be of metal construction with metal throatplate. Faucet shall feature reversible quarter-turn washerless ceramic disc valves, assuring positive handle stop positioning. Faucet shall be rated at 2.0 gallons (7.5 L) per minute. Product shall have lower flow aerator options. Product shall include 4" (10.2 cm) centers, 3-5/8" (9.2 cm) spout, grid drain with tailpiece, vandal-resistant (VR) wristblade handles, and VR aerator. Faucet shall be Kohler Model K-15636-CP.

CORALAIS®

Installation Notes

Install this product according to the installation guide.



Product Diagram