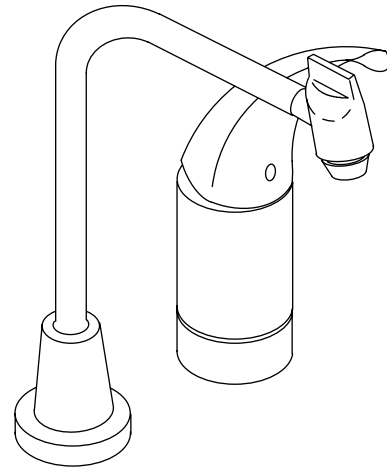


**KITCHEN SINK FAUCET  
K-15177-P**

ADA

**Features**

- Metal construction
- One-piece, self-contained ceramic disc valve allows both volume and temperature control
- Temperature memory allows faucet to be turned on and off at any temperature setting
- Remote valve
- 2.2 gpm (8.3 lpm) flow rate
- Lower flow aerator options are available (refer to the Kohler Price Book)
- Rotating aerator
- Lever handle
- Ground joint connections
- 8' (20.3 cm) multi-swivel swing spout



**Codes/Standards Applicable**

Specified model meets or exceeds the following:

- ASME A112.18.1/CSA B125.1
- IAPMO/UPC
- Energy Policy Act of 1992 (EPACT)
- ADA
- NSF 61

**Colors/Finishes**

- CP: Polished Chrome

**Specified Model**

Model	Description	Colors/Finishes
K-15177-P	Kitchen sink faucet with ground joints, less spray	<input type="checkbox"/> CP

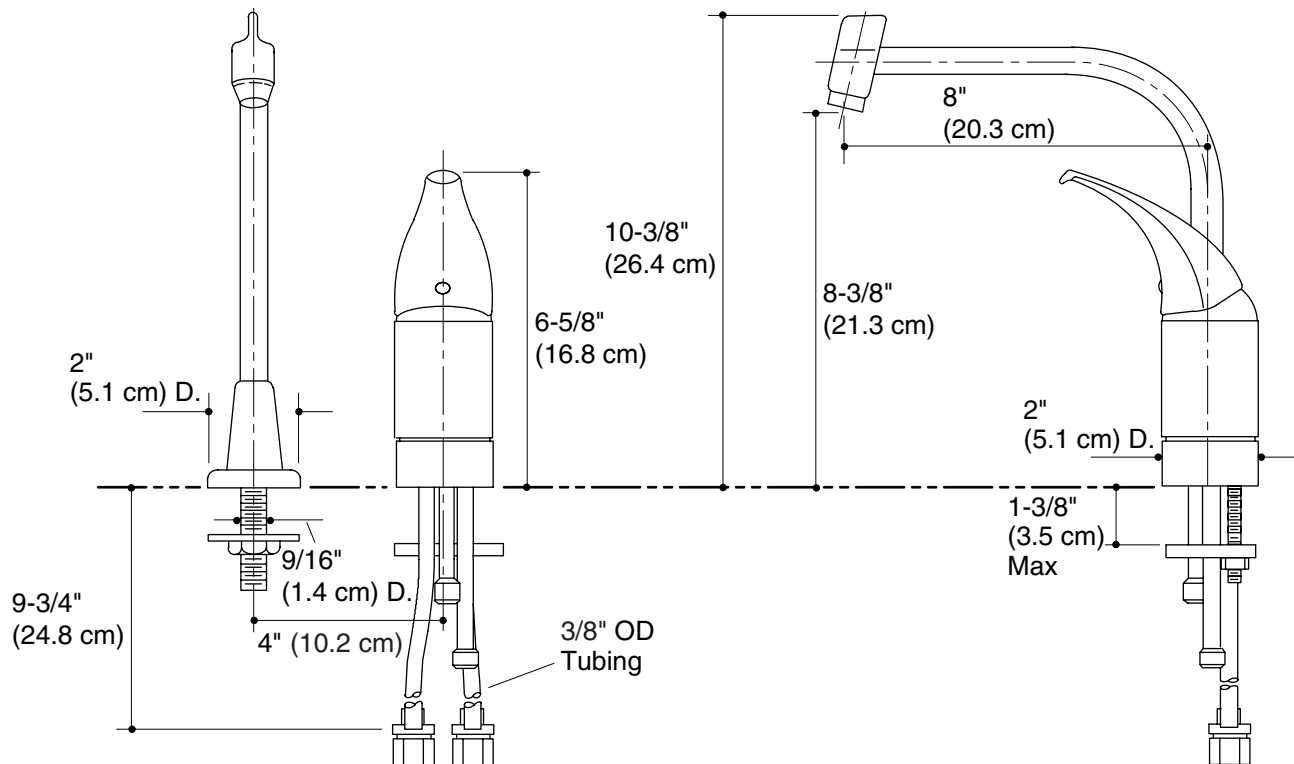
**Product Specification**

Single-control kitchen sink faucet shall be of metal construction. The valve shall be a one-piece, self-contained ceramic disc valve, allowing volume and temperature control. The valve shall feature temperature memory, allowing the faucet to be turned on and off at any temperature setting. Faucet shall include remote valve, 8" (20.3 cm) multi-swivel swing spout, rotating aerator, lever handle, and ground joint connections. Faucet shall be rated at 2.2 gallons (8.3 L) per minute. Faucet shall have lower flow aerator options. Faucet shall be Kohler Model K-15177-P-CP.

# CORALAIS®

## Installation Notes

Install this product according to the installation guide.



### Product Diagram