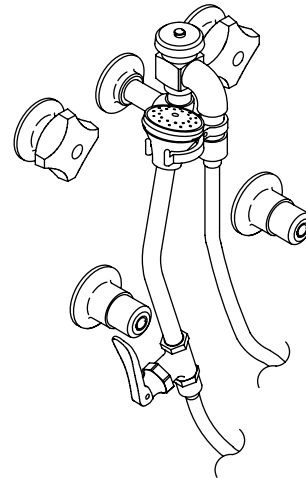


Features

- Brass construction
- Brass valve bodies
- Valvet® valves
- Vacuum breaker
- Standard handles
- Standard sprayhead
- Vinyl hose
- Screwdriver check stops
- Self-closing lever control spray and hook
- Internal NPT connections

**BUILT-IN BEDPAN WASHER
K-13938-2A**



Codes/Standards Applicable

Specified model meets or exceeds the following:

- ASME A112.18.1

Colors/Finishes

- CP: Polished Chrome

Specified Model

Model	Description	Colors/Finishes
K-13938-2A	Built-in bedpan washer	<input type="checkbox"/> CP

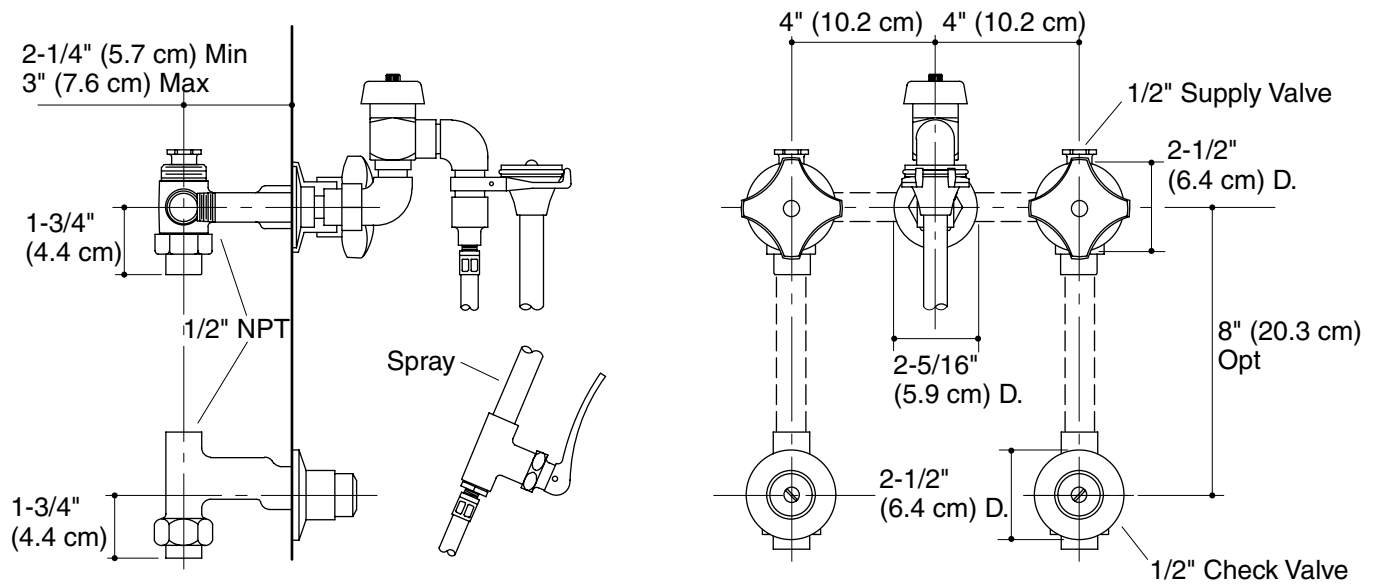
Product Specification

Built-in bedpan washer shall be of brass construction. Faucet shall feature brass valve bodies. Faucet shall also feature Valvet valves. Product shall include standard handles, standard sprayhead, vacuum breaker, vinyl hose, screwdriver check stops, self-closing lever control spray and hook, and internal NPT connections. Faucet shall be Kohler Model K-13938-2A-CP.

TRITON®

Installation Notes

Install this product according to the installation guide.



* Consult Local Codes For Vacuum Breaker Height.

Product Diagram