

Features

- Brass construction
- Brass valve bodies
- Valvet® valves
- 5-3/16" (13.2 cm) fixed gooseneck spout reach
- Cold water lever handle
- Lower flow aerator options are available (refer to the Kohler Price Book)
- 2.2 gpm (8.3 lpm) maximum flow rate

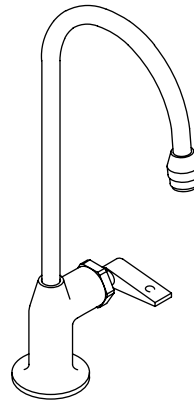
**PANTRY FAUCET
K-7895
ALSO K-7898**

ADA

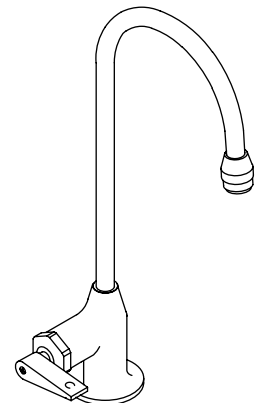
Codes/Standards Applicable

Specified model meets or exceeds the following at date of manufacture:

- ADA
- ASME A112.18.1/CSA B125.1
- ICC/ANSI A117.1
- NSF 61
- Energy Policy Act of 1992
- All applicable US Federal and State material regulations



K-7895-C



K-7898-C

Colors/Finishes

- CP: Polished Chrome

Specified Model

Model	Description	Colors/Finishes
K-7895-C	Pantry faucet – right-hand lever handle	<input type="checkbox"/> CP
K-7898-C	Pantry faucet – left-hand lever handle	<input type="checkbox"/> CP

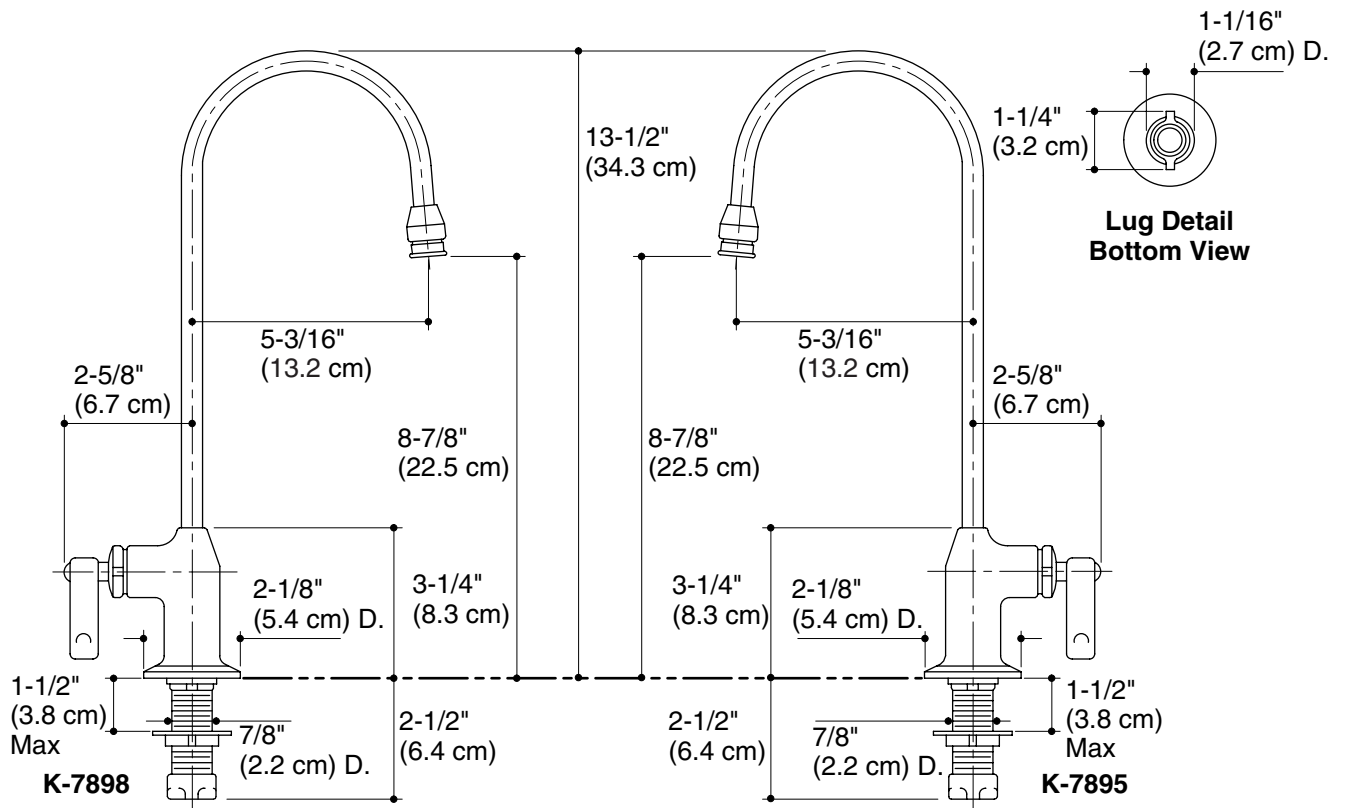
Product Specification

The pantry faucet shall be of brass construction with brass valve bodies. Product shall have a maximum flow rate of 2.2 gpm (8.3 lpm) with lower flow aerator options available (refer to the Kohler Price Book). Product shall feature a Valvet valves, 5-3/16" (13.2 cm) fixed gooseneck spout reach, and cold water lever handle. The pantry faucet shall be Kohler Model K-____-CP.

BARDNEY™

Installation Notes

Install this product according to the installation guide.



Product Diagram