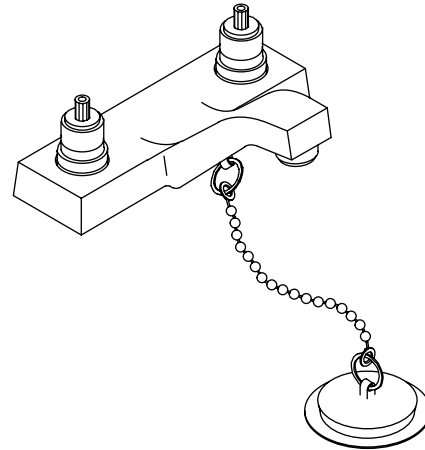


LAVATORY BASE FAUCET K-7403-K

Features

- Brass construction
- Brass valve bodies
- Quarter-turn washerless ceramic disc valves
- For 4" (10.2 cm) centers
- 4" (10.2 cm) spout reach
- Available with standard or vandal-resistant Water-Guard® aerator
- Variety of handle style options
- Chain and stopper drain
- 1.5 gallons (5.7 L) per minute flow rate [max at 60 psi (4.14 bar)]



Codes/Standards Applicable

Specified model meets or exceeds the following:

- ADA
- ICC/ANSI A117.1
- ASME A112.18.1/CSA B125.1
- NSF 61
- EPA WaterSense®

Colors/Finishes

- CP: Polished Chrome

Specified Model

For complete faucet, both base faucet and handle choice must be specified.

Model	Description	Colors/Finishes			
K-7403-K	Triton® base faucet with standard aerator, and chain and stopper drain	<input type="checkbox"/> CP			
Required Accessories (Includes Two Handles)					
K-16010-2	Triton® standard handles	<input type="checkbox"/> CP			
K-16010-3	Triton cross handles		<input type="checkbox"/> CP		
K-16010-4	Triton lever handles			<input type="checkbox"/> CP	
K-16010-5	Triton wristblade lever handles				<input type="checkbox"/> CP

Product Specification

Two-handle centerset lavatory base faucet shall be made of brass construction with brass valve bodies. Faucet shall feature quarter-turn washerless ceramic disc valves, assuring positive handle stop positioning. Valve shall feature a 1.5 gallons (5.7 L) per minute flow rate [max at 60 psi (4.14 bar)]. Product shall include 4" (10.2 cm) centers, 4" (10.2 cm) spout, and chain and stopper drain. Optional feature shall be standard or vandal-resistant Water-Guard® aerator. Base faucet shall be Kohler Model K-7403-_____-CP and handles shall be K-16010-_____-CP.

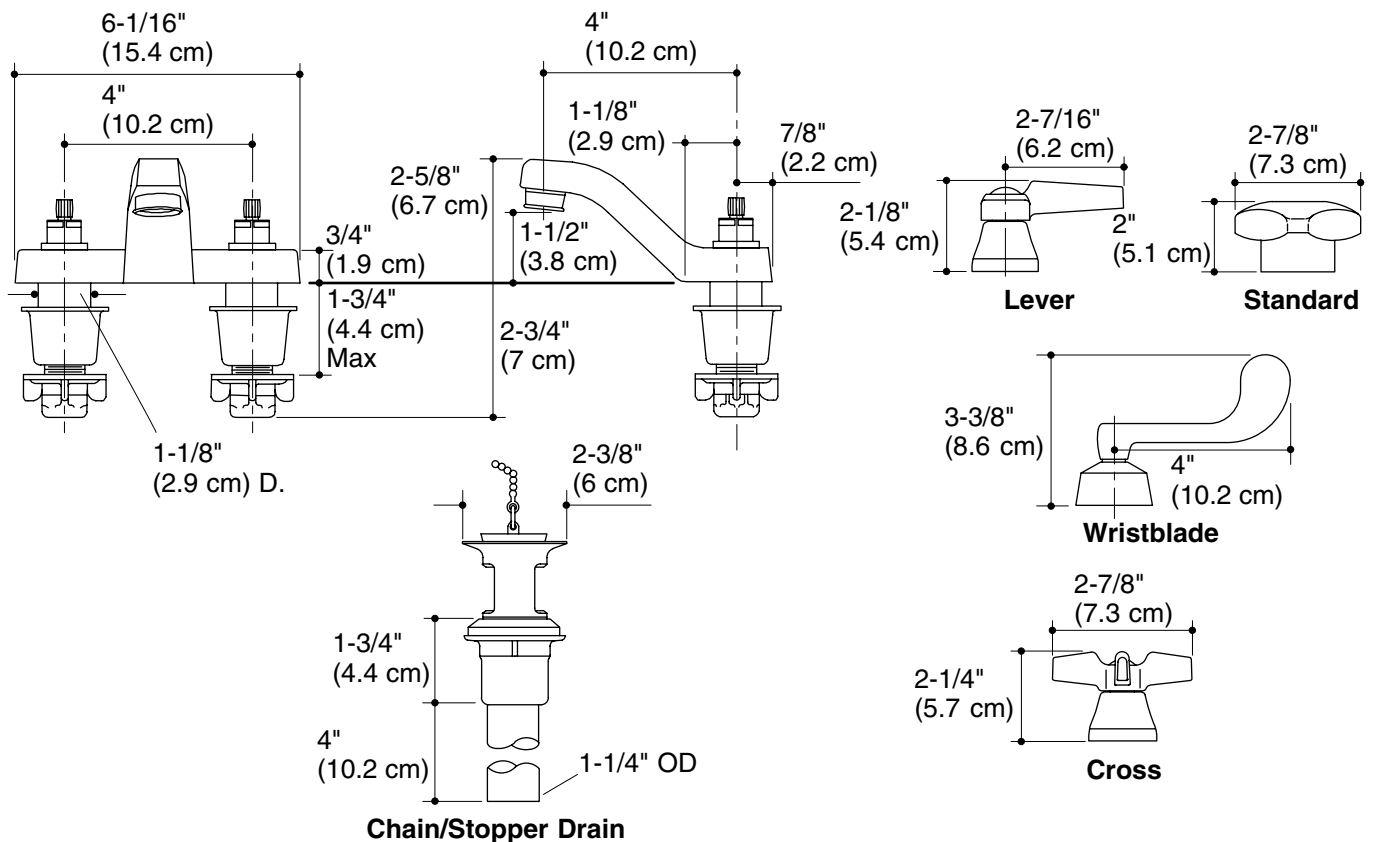
TRITON®

Optional Accessories		
1160595	Medium Spray 0.35 gpm (1.32 lpm) – Insert only	<input type="checkbox"/> NA
_____	Additional flow options are available (refer to the Price Book)	<input type="checkbox"/> NA

Installation Notes

Install this product according to the installation guide.

ADA compliant when installed to the specific requirements of these regulations.



Product Diagram