

**Features**

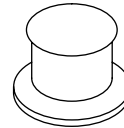
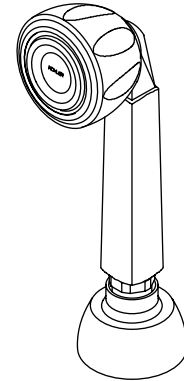
- Bath- or deck-mount
- Two-way brass diverter valve
- Gentle to full-flow spray
- 2.5 gallons (9.5 L) per minute
- Diverter valve has backflow protection

**Codes/Standards Applicable**

Specified model meets or exceeds the following:

- ASME A112.18.1
- CSA B125
- ASSE 1014
- ASSE 1025
- Energy Policy Act of 1992 (EPACT)
- IAPMO/UPC
- Listed in the States of Michigan and Wisconsin

**DIVERTER VALVE AND  
HANDSHOWER  
K-9530  
ALSO K-9677**



**Colors/Finishes**

- CP: Polished Chrome
- PB: Polished Brass
- Other: Refer to Price Book for additional colors/finishes

**Specified Model**

Model	Description	<input type="checkbox"/> CP	<input type="checkbox"/> PB	<input type="checkbox"/> Other ____
K-9530	Two-Way Diverter Valve Only	<input type="checkbox"/> CP	<input type="checkbox"/> PB	<input type="checkbox"/> Other ____
K-9677	Persona™ Handshower Only	<input type="checkbox"/> CP	<input type="checkbox"/> PB	<input type="checkbox"/> Other ____

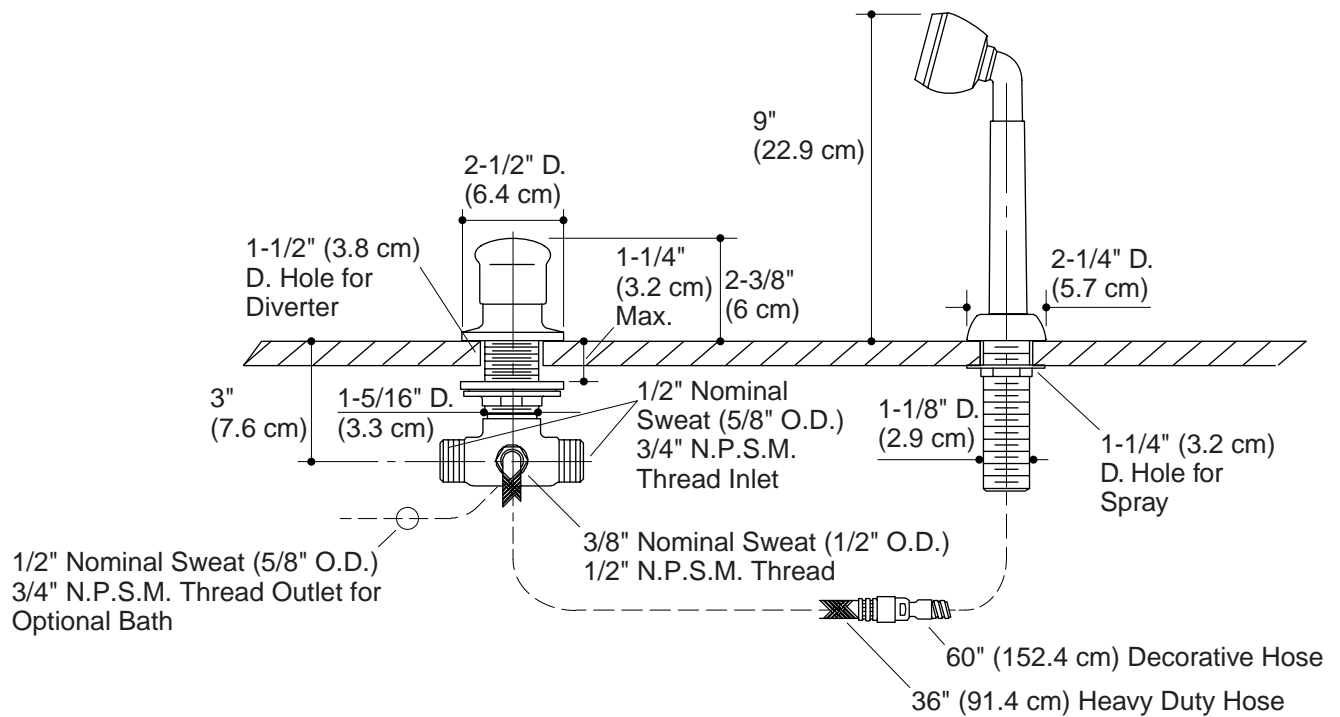
**Product Specification**

Handshower kit shall be bath- or deck-mount. K-9677 shall feature a Persona™ handshower with adjustable spray to deliver a gentle to full-flow spray. K-9677 shall flow 2.5 gpm (9.5 lpm). K-9530 shall feature a brass-constructed two-way diverter valve. Diverter valve shall have backflow protection. Product shall be Kohler Model K-\_\_\_\_-\_\_\_\_.

## Installation Notes

Install this product according to the installation guide.

Diverter valve has backflow protection.



## Product Diagram