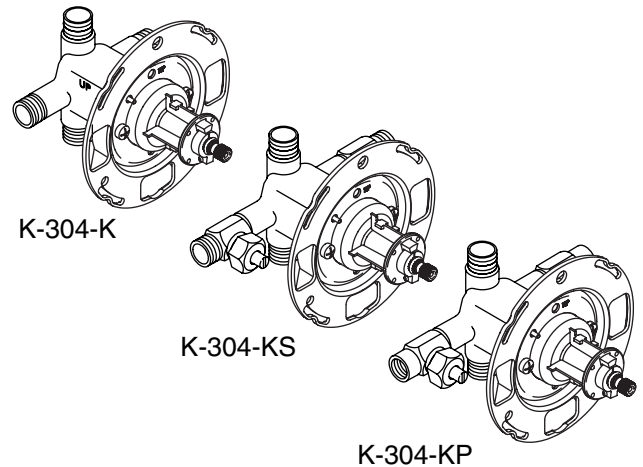


Features

- Brass valve body
- High-temperature limit setting for added safety
- Mixing valve cycles from "cold" to "hot"
- Rite-Temp pressure-balancing diaphragm design valve
- One-piece diaphragm cartridge design for ease of maintenance
- Available with or without screwdriver stops
- Available with female connections for CPVC adapters

**PRESSURE-BALANCING VALVE
K-304-K**



Codes/Standards Applicable

Specified model meets or exceeds the following:

- ASME A112.18.1
- ASSE 1016
- CSA International
- IAPMO/UPC

Colors/Finishes

- NA: None applicable

Specified Model

Model	Description	Colors/Finishes
K-304-K	Pressure-balancing valve without screwdriver stops	<input type="checkbox"/> NA
K-304-KS	Pressure-balancing valve with screwdriver stops	<input type="checkbox"/> NA
K-304-KP	Pressure-balancing valve with screwdrivers stops and female connections for CPVC adapters	<input type="checkbox"/> NA

Optional Accessories

58221	Deep roughing-in kit for Rite-Temp® valve for Antique™ valve six-prong and artist edition handles	<input type="checkbox"/> NA
58222	Deep roughing-in kit for Rite-Temp® valve for Antique™ lever handles	<input type="checkbox"/> NA
58223	Deep roughing-in kit for Rite-Temp® valve for IV Georges Brass®, Triton® lever handles	<input type="checkbox"/> NA
58224	Deep roughing-in kit for Rite-Temp® valve for IV Georges Brass® cross handles	<input type="checkbox"/> NA
58226	Deep roughing-in kit for Rite-Temp® valve for Taboret®, lever and T-handle	<input type="checkbox"/> NA
58229	Deep roughing-in kit for Rite-Temp® valve for Triton® standard handles	<input type="checkbox"/> NA
73418	Deep roughing-in kit for Rite-Temp® valve for Pinstripe™, Finial®, Revival®, Memoirs®, Stately and Memoirs® Classic standard handles	<input type="checkbox"/> NA
79639	Deep roughing-in kit for Rite-Temp® valve for Cabriole® lever handles	<input type="checkbox"/> NA

Optional accessories continued on page 2

Product Specification

Rite-Temp pressure-balancing valve shall have a brass valve body. Product shall include a Rite-Temp pressure-balancing diaphragm design valve with a one-piece diaphragm cartridge design for ease of maintenance. Product shall have mixing valve cycles from "cold" to "hot" and a high-temperature limit stop for added safety. Product shall be available without or with screwdriver stops or with screwdrivers stops with female connections for CPVC adapters. Valve shall be Kohler Model K-304-____-NA.

RITE-TEMP®

Optional Accessories		
1007937	Deep roughing-in kit for Rite-Temp valve for Fairfax® faucet trim, Coralais® single-control faucet trim lever and acrylic handle, and K-T9492 MasterShower® trim lever and cylinder handle	<input type="checkbox"/> NA
1016154	Deep roughing-in kit for Rite-Temp® valve for Stillness®, Purist®, lever and cross handles	<input type="checkbox"/> NA
1025388	Deep roughing-in kit for Rite-Temp® valve for Forte®, lever handles	<input type="checkbox"/> NA
1030932	Deep roughing-in kit for Rite-Temp® valve for Devonshire®, lever handles	<input type="checkbox"/> NA

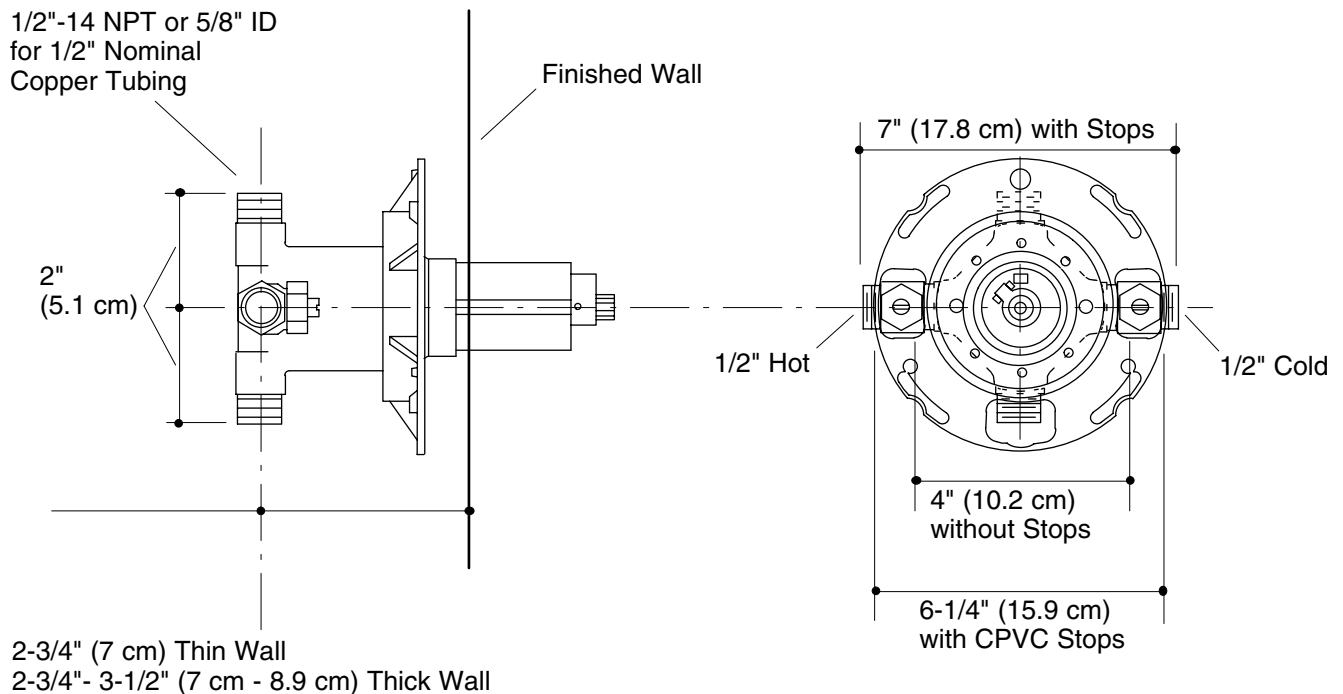
Installation Notes

Install this product according to the installation guide.

Avoid cross-flow conditions. Do not install a shut-off device on either valve outlet.

Cap the shower outlet if a deck-mount spout, diverter, or handshower is connected to a spout outlet.

Install a straight pipe or tube drop of 7" (17.8 cm) to 18" (45.7 cm) with a single elbow between the valve and wall-mount spout.



Product Diagram