

**VALVE SYSTEM
K-15708**

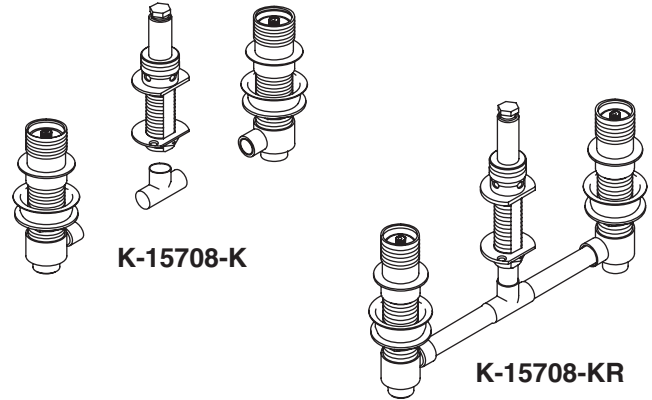
Features

- Bath- or deck-mount
- Brass valve bodies
- 1/2" quarter-turn washerless ceramic disc valves
- High-flow valving
- 8" (20.3 cm) rigid connections [K-15708-KR]

Codes/Standards Applicable

Specified model meets or exceeds the following:

- ASME A112.18.1
- IAPMO/UPC



Colors/Finishes

- NA: None applicable

Accessories

- NA: None applicable

Specified Model

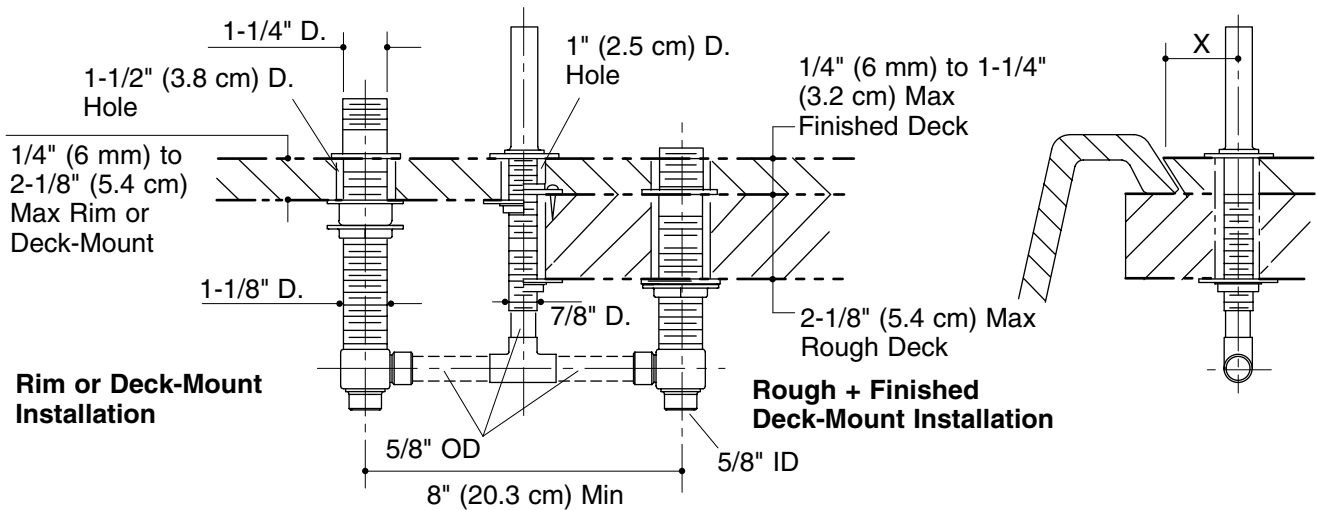
Model	Description	Colors/Finishes
K-15708-K	Valve system less connections	<input type="checkbox"/> NA
K-15708-KR	Valve system with 8" (20.3 cm) rigid connections	<input type="checkbox"/> NA
Optional Accessories		
K-299-K	Conversion kit	<input type="checkbox"/> NA

Product Specification

Two-handle bath- or deck-mount 1/2" (1.3 cm) valve system shall feature brass valve bodies. Faucet shall feature 1/2" (1.3 cm) quarter-turn washerless ceramic disc valves. Valve system shall feature high-flow valving. K-15708-KR-NA shall be for 8" (20.3 cm) rigid connections. Valve system shall be Kohler Model K-15708-____-NA.

Installation Notes

Install this product according to the installation guide.



X= Distance from centerline of spout inlet to front of spout base plus 1/2" (1.3 cm).

For installations on a rough (unfinished) desk to be cover later with tile, tile thickness must not exceed 1-1/4" (3.2 cm).

Product Diagram