

**KITCHEN SINK FAUCET
K-15071-P**

ADA **CSA B651** **OBC**

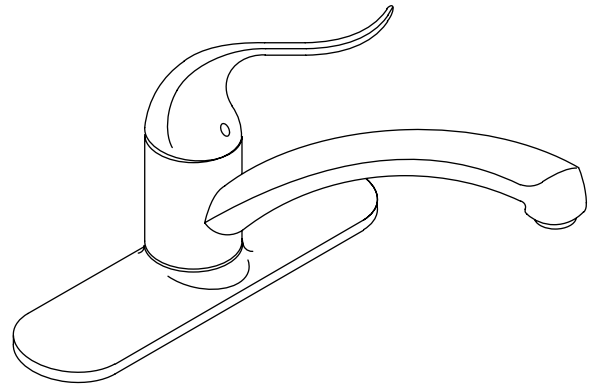
Features

- Metal construction
- One-piece, self-contained ceramic disc valve allows both volume and temperature control
- Temperature memory allows faucet to be turned on and off at any temperature setting
- High-temperature limit setting for added safety
- 9-1/4" (23.5 cm) swing spout reach
- Flexible supplies
- Lower flow aerator options are available (refer to the Kohler Price Book)
- 2.2 gallons (8.3 L) per minute maximum flow rate

Codes/Standards Applicable

Specified model meets or exceeds the following at date of manufacture:

- ADA
- ICC/ANSI A117.1
- CSA B651
- OBC
- ASME A112.18.1/CSA B125.1
- NSF 61
- Energy Policy Act of 1992
- All applicable US Federal and State material regulations



Colors/Finishes

- CP: Polished Chrome
- Other: Refer to Price Book for additional colors/finishes

Specified Model

Model	Description	Colors/Finishes	
K-15071-P	Kitchen sink faucet	<input type="checkbox"/> CP	<input type="checkbox"/> Other ____

Product Specification

The single-control kitchen sink faucet shall be of metal construction. Product shall have a maximum flow rate of 2.2 gallons (8.3 L) per minute with lower flow aerator options available (refer to the Kohler Price Book). Product shall feature a one-piece, self-contained ceramic disc valve, which allows both volume and temperature control. Product shall feature temperature memory, allowing the faucet to be turned on and off at any temperature setting. Product shall feature a high-temperature limit stop setting for added safety. Product shall feature a 9-1/4" (23.5 cm) swing spout reach and flexible supplies. Faucet shall be Kohler Model K-15071-P-_____.

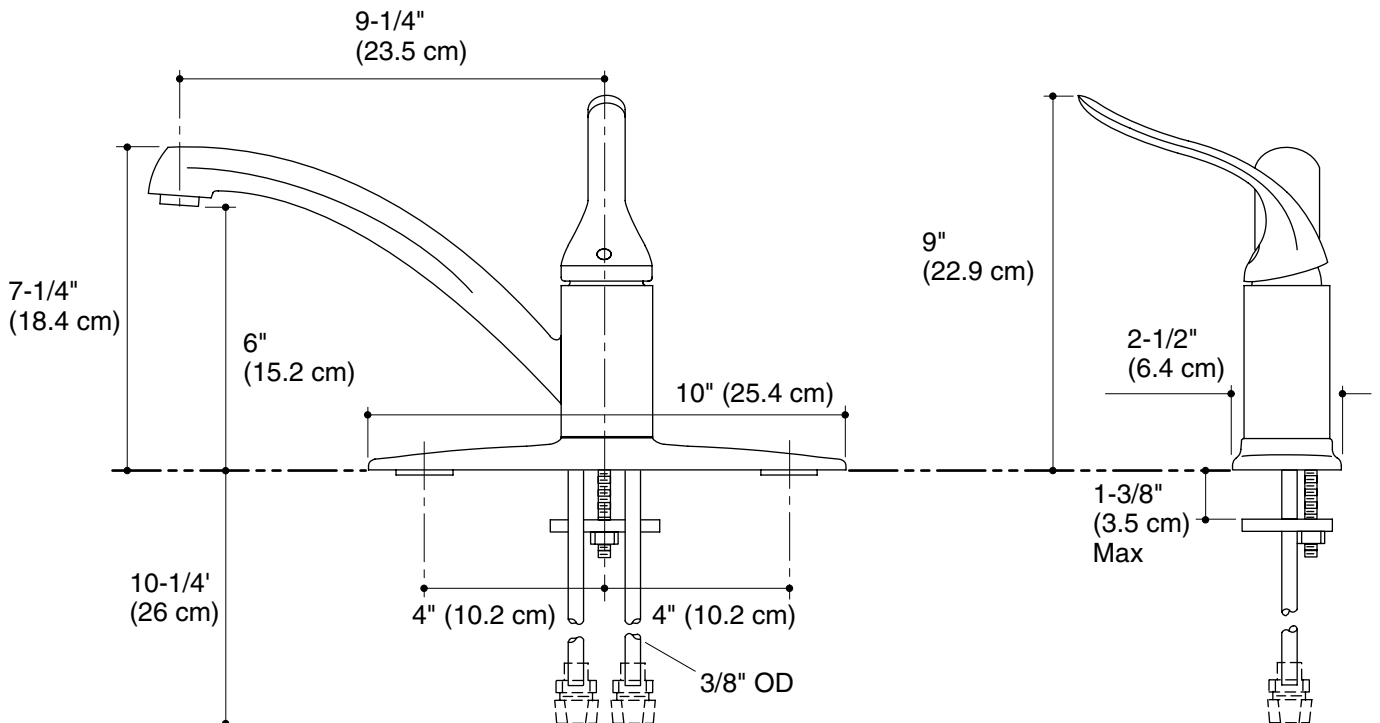
CORALAIS®

Installation Notes

Install this product according to the installation guide.

Lower flow aerator options are available. Please refer to the Kohler Price Book.

ADA, CSA B651, OBC compliant when installed to the specific requirements of these regulations.



Product Diagram