

**LAUNDRY TRAY FAUCET
K-11936-U**

ADA

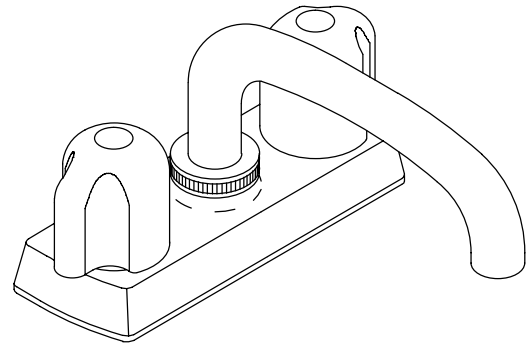
FEATURES

- Brass construction
- For 4" centers
- Brass valve bodies
- Compression valves
- 5-1/2" plain end swing spout
- Metal blade handles

CODES/STANDARDS APPLICABLE

Specified model meets or exceeds the following:

- ASME/ANSI A112.18.1M
- IAPMO/UPC



COLORS/FINISHES

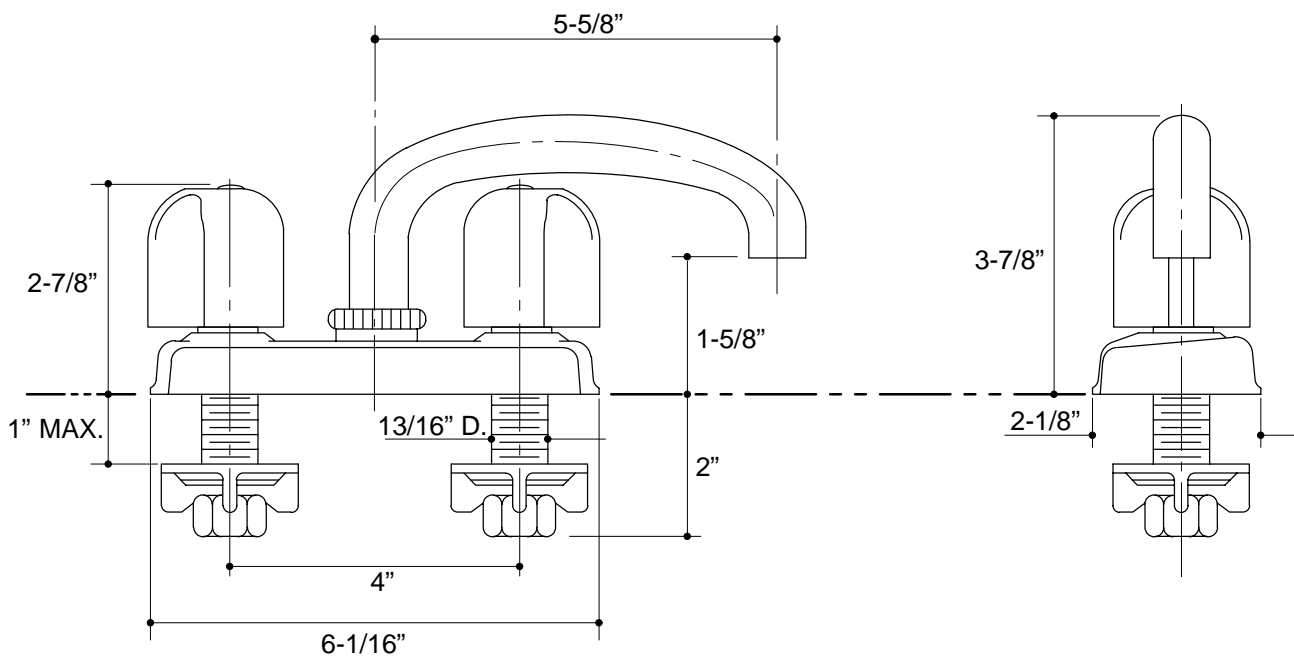
- CP Polished Chrome

SPECIFIED MODEL:

Model	Description	
K-11936-U	Trend Laundry Tray Faucet	<input type="checkbox"/> CP

PRODUCT SPECIFICATION:

Two-handle centerset laundry tray faucet shall be of brass construction. Faucet shall feature brass valve bodies. Faucet shall also feature compression valves. Product shall include 4" centers, 5-1/2" plain end swing spout, and metal blade handles. Faucet shall be Kohler Model K-11936-U-CP.



PRODUCT DIAGRAM