

**PULL-OUT SPRAY KITCHEN SINK
FAUCET
K-6352**

ADA

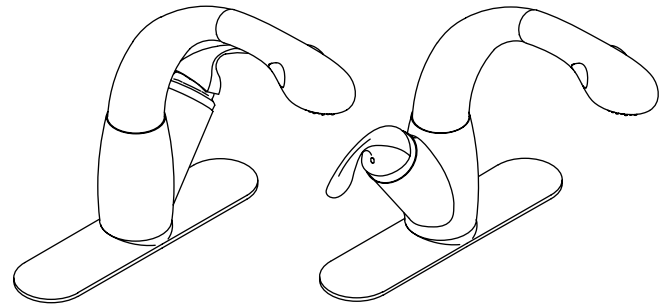
Features

- Brass construction
- One-piece, self-contained ceramic disc valve allows both volume and temperature control
- Temperature memory allows faucet to be turned on and off at any temperature setting
- High-temperature limit setting for added safety
- 9-1/4" (23.5 cm) high-arch swing spout with integral spray and retractable hose
- Integral vacuum breaker
- Touch control for stream-to-spray water flow
- Sprayhead is available in a variety of colors
- Right-side lever handle
- Lower flow aerator options are available (refer to the Kohler Price Book)
- 2.2 gpm (8.3 lpm) maximum flow rate

Codes/Standards Applicable

Specified model meets or exceeds the following at date of manufacture:

- ADA
- ASME A112.18.1/CSA B125.1
- ICC/ANSI A117.1
- NSF 61
- Energy Policy Act of 1992
- All applicable US Federal and State material regulations



K-6352

K-6353

Colors/Finishes

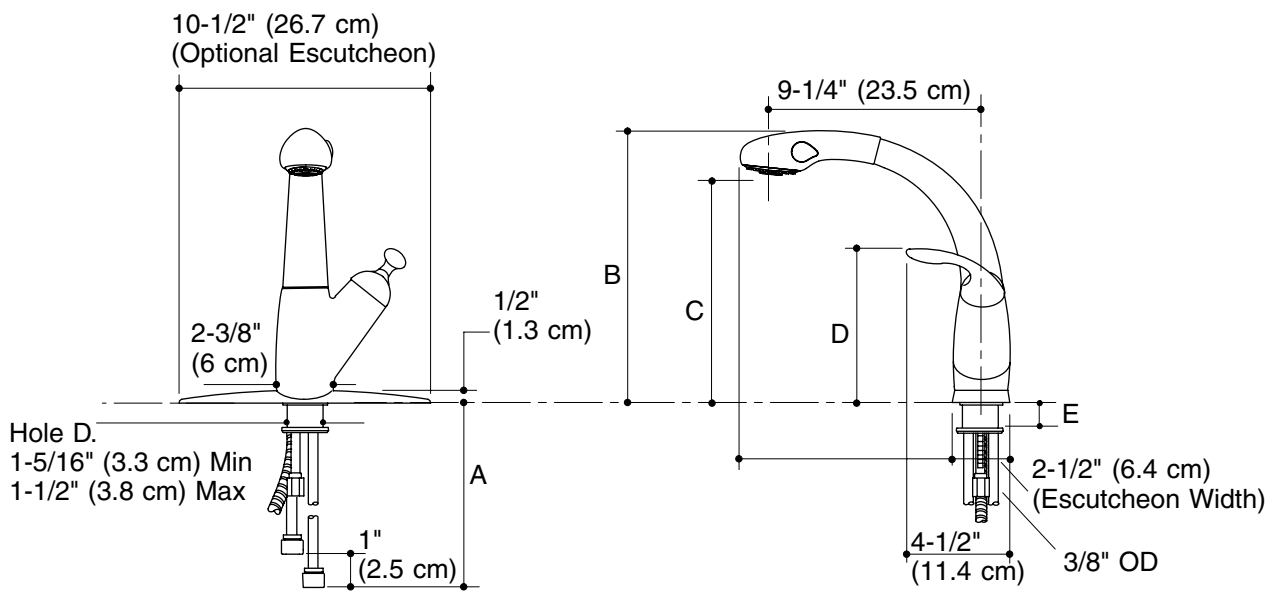
- CP: Polished Chrome
- Other: Refer to Price Book for additional colors/finishes

Specified Model

Model	Description	Colors/Finishes	
K-6352	Pull-out spray kitchen sink faucet – matching color sprayhead	<input type="checkbox"/> CP	<input type="checkbox"/> Other _____
K-6352-AP	Pull-out spray kitchen sink faucet – white sprayhead	<input type="checkbox"/> CP	
K-6352-BP	Pull-out spray kitchen sink faucet – black sprayhead	<input type="checkbox"/> CP	

PRODUCT SPECIFICATION

The single-control pull-out spray kitchen sink faucet shall be of brass construction. Product shall have a maximum flow rate of 2.2 gallons (8.3 L) per minute with lower flow aerator options available (refer to the Kohler Price Book). Product shall feature a one-piece, self-contained ceramic disc valve, which allows both volume and temperature control. Product shall feature temperature memory, allowing the faucet to be turned on and off at any temperature setting. Product shall feature a high-temperature limit stop for added safety and a 9-1/4" (23.5 cm) high-arch swing spout with integral sprayhead and retractable hose. Product shall feature an integral vacuum breaker, touch control for stream-to-spray water flow, and right-side lever handle. Product shall feature a sprayhead which is available in a variety of colors. Faucet shall be Kohler Model K-6352-____ or K-6352-____-_____.



Note: Dimensions also apply to K-6353, left-side lever

Roughing-In Notes					
	A	B	C	D	E
With Escutcheon	10-3/4" (27.3 cm)	11-5/8" (29.5 cm)	9-3/8" (23.8 cm)	6-1/2" (16.5 cm)	2-5/8" (6.7 cm)
Without Escutcheon	11-1/4" (28.6 cm)	11-1/8" (28.3 cm)	8-7/8" (22.5 cm)	6" (15.2 cm)	3-1/8" (7.9 cm)

Product Diagram