

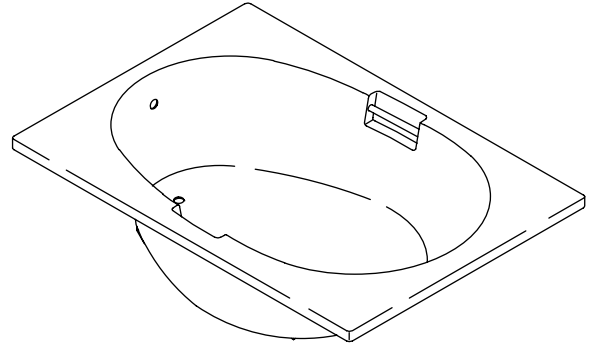
Features

- Acrylic
- Clear acrylic grab bars
- Drop-in rim style or integral flange
- Optional K-1279 front apron
- 60" (152.4 cm) x 42-1/4" (107.3 cm) x 18" (45.7 cm)

Codes/Standards Applicable

Specified model meets or exceeds the following:

- ANSI Z124.1.2
- IAPMO/UPC



Colors/Finishes

- 0: White
- Other: Refer to Price Book for additional colors/finishes

Accessories

- CP: Polished Chrome
- PB: Vibrant® Polished Brass
- NA: None applicable
- Other: Refer to Price Book for additional colors/finishes

Specified Model

Model	Description	Colors/Finishes	
K-1267	Bath, drop-in, rim style (shown)	<input type="checkbox"/> 0	<input type="checkbox"/> Other _____
K-1267-L	Bath, left outlet, integral flange	<input type="checkbox"/> 0	<input type="checkbox"/> Other _____
K-1267-R	Bath, right outlet, integral flange	<input type="checkbox"/> 0	<input type="checkbox"/> Other _____

Recommended Accessories

K-7161-AF	Pop-up drain	<input type="checkbox"/> CP	<input type="checkbox"/> PB	<input type="checkbox"/> Other _____
-----------	--------------	-----------------------------	-----------------------------	--------------------------------------

Optional Accessories

K-1181	Vinyl tiling-in bead (use when wall material contacts any top surface of bath)	<input type="checkbox"/> NA
K-1279	Apron (removable)	<input type="checkbox"/> 0 <input type="checkbox"/> Other _____

Product Specification

The acrylic bath shall be 60" (152.4 cm) in length, 42-1/4" (107.3 cm) in width, and 18" (45.7 cm) in height. The bath shall be either drop-in rim style or include an integral flange. The bath shall have clear acrylic grab bars. The bath shall have an optional K-1279 front apron. The bath shall be Kohler Model K-1267-_____-_____.

DOCKSIDE®

Technical Information

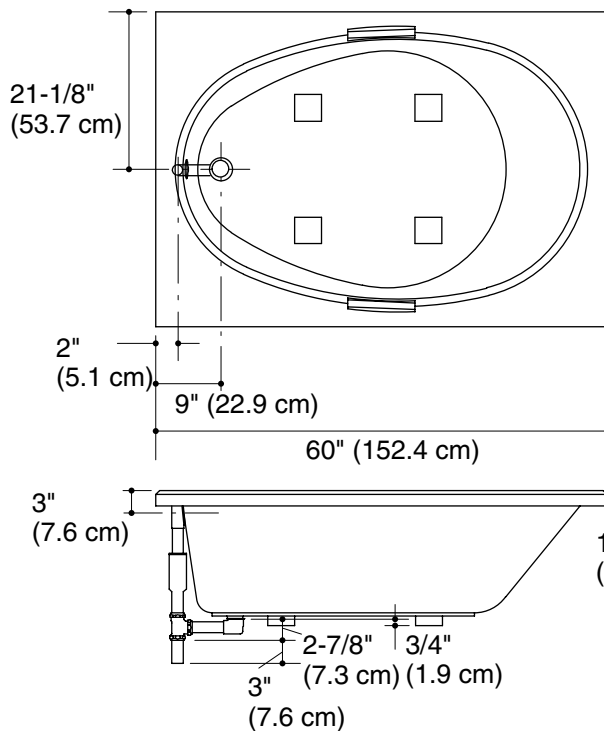
Fixture*:	
Basin area:	
Bathing well	42" (106.7 cm) x 28" (71.1 cm)
Top area	52" (132.1 cm) x 30" (76.2 cm)
To overflow:	
Water depth	12-1/2" (31.8 cm)
Capacity	55 gal (208.2 L)
Weight	75 lbs (34 kg)
* Approximate measurements for comparison only.	

Installation Notes

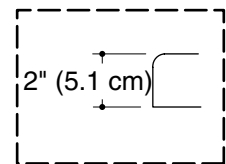
Install this product according to the installation guide.

Floor support under whirlpool must provide for minimum of 29 lbs/square foot (141 kg/square meter) loading.

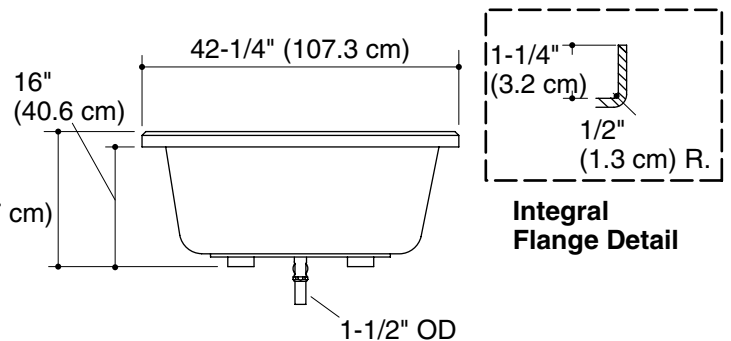
The apron must be installed before the finished floor and wall materials are installed.



No change in measurements if connected with drain illustrated. (K-7161-AF)



Drop-in Rim Detail



Integral Flange Detail

Product Diagram