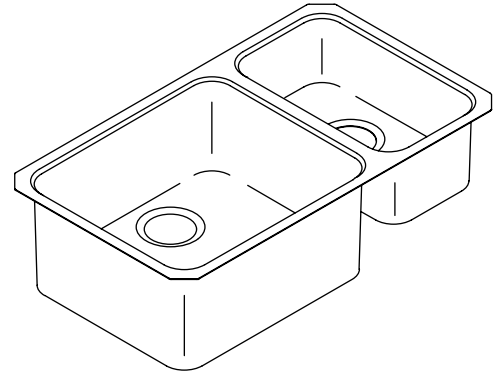


Features

- 18-gauge stainless steel
- Includes installation hardware
- Undercounter
- Squared bowl(s)
- Double (high/low) compartment
- 29-1/4" (74.3 cm) x 15-3/4" (40 cm)
- 7-1/2" (19.1 cm) deep left basin and 5-1/2" (14 cm) deep right basin (K-3352)
- 5-1/2" (14 cm) deep left basin and 7-1/2" (19.1 cm) deep right basin (K-3352-L)

UNDERCOUNTER KITCHEN SINK K-3352 ALSO K-3352-L



Codes/Standards Applicable

Specified model meets or exceeds the following:

- ASME A112.19.3/CSA B45.4

Colors/Finishes

- NA: None applicable

Accessories:

- CP: Polished Chrome
- 0: White
- NA: None applicable
- Other: Refer to Price Book for additional colors/finishes

Specified Model

Model	Description	Colors/Finishes
K-3352	Undercounter sink with 7-1/2" (19.1 cm) deep left basin and 5-1/2" (14 cm) deep right basin	<input type="checkbox"/> NA
K-3352-L	Undercounter sink with 5-1/2" (14 cm) deep left basin and 7-1/2" (19.1 cm) deep right basin	<input type="checkbox"/> NA

Optional Accessories			
K-3277	Wire basket (for large basin)	<input type="checkbox"/> 0 White	<input type="checkbox"/> Other _____
K-3294	Hardwood cutting board (for large basin)	<input type="checkbox"/> NA	
K-8801	Duostrainer® sink strainer	<input type="checkbox"/> CP	<input type="checkbox"/> Other _____

Product Specification:

The undercounter sink shall be 29-1/4" (74.3 cm) in length and 15-3/4" (40 cm) in width. Sink shall be made of 18 gauge stainless steel. Sink shall be double (high/low) compartment with squared bowls. Kohler Model K-3352 sink shall have 7-1/2" (19.1 cm) deep left basin and 5-1/2" (14 cm) deep right basin. Kohler Model K-3352-L sink shall have 5-1/2" (14 cm) deep left basin and 7-1/2" (19.1 cm). Sink shall include installation hardware. Sink shall be Kohler Model K-3352-_____.

UNDERTONE®

Technical Information

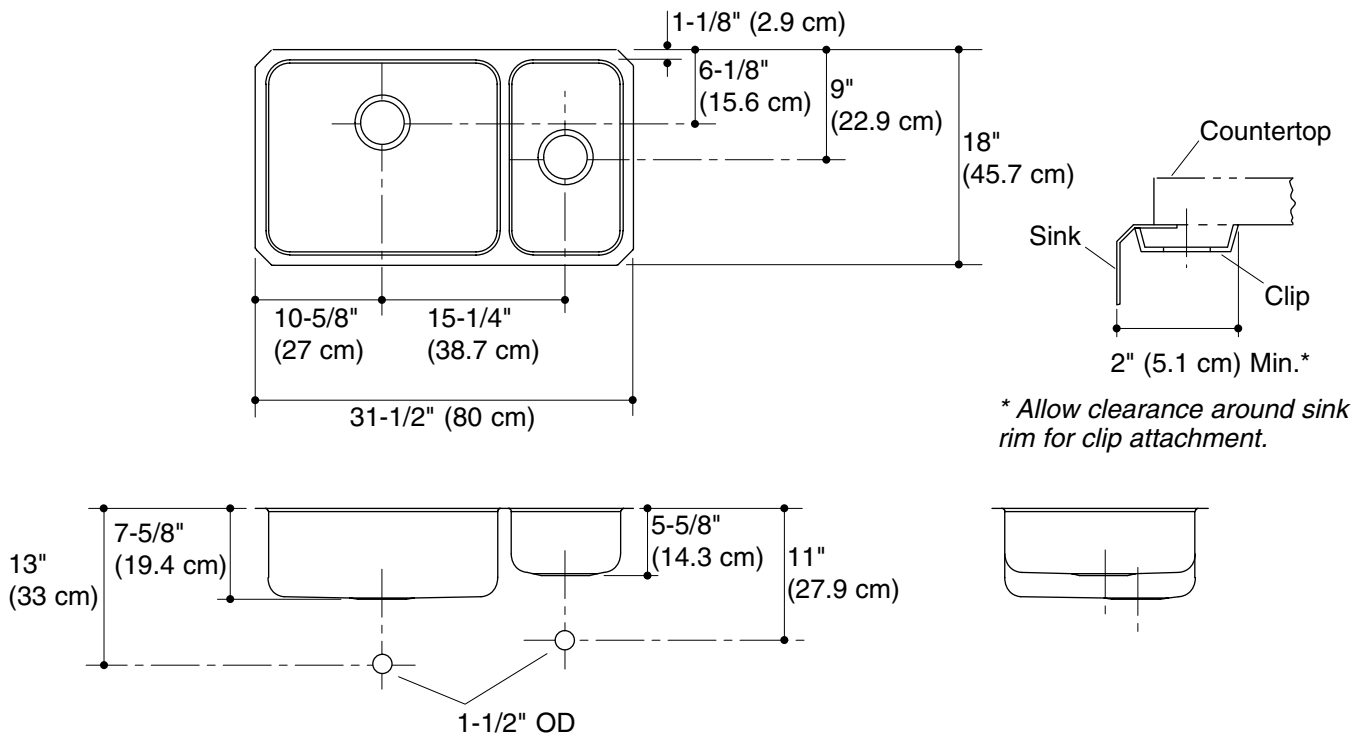
Dimensions shown for K-3352; sink dimensions are opposite for K-3352-L.		
Fixture:*	basin area	water depth
Sink, left	19" (48.3 cm) x 16" (40.6 cm)	7-1/2" (19.1 cm)
Sink, right	9" (22.9 cm) x 16" (40.6 cm)	5-1/2" (14 cm)
Drain Holes	3-5/8" (9.2 cm) D.	

* Approximate measurements for comparison only.

Included Components:	
Hardware kit (4 required)	91915
Cutout template	1040556-7

Installation Notes

Install this product according to the installation guide.



Product Diagram