

INSTALLATION INSTRUCTIONS

BEFORE YOU BEGIN

PRODUCT PROPERTIES

- Vitreous china bidet



CAUTION: Risk of personal injury or product damage. Vitreous china can chip or break easily if screws or nuts are overtightened or the product is handled carelessly.

- Fixture dimensions are nominal and conform to tolerances by ANSI/ASME standards A112.19.2M.

TOOLS AND MATERIALS REQUIRED

- Tape measure
- Screwdriver
- Adjustable wrench
- Drill and 3/16" drill bit
- 3/8" shut-off valves
- Clear silicone sealant

NOTE: Site preparation may require additional tools and hardware.

SITE PREPARATION

ROUGH-IN PLUMBING

Turn off the water supply.

Install the hot and cold supplies and P-trap outlet as necessary to conform to the roughing-in dimensions.

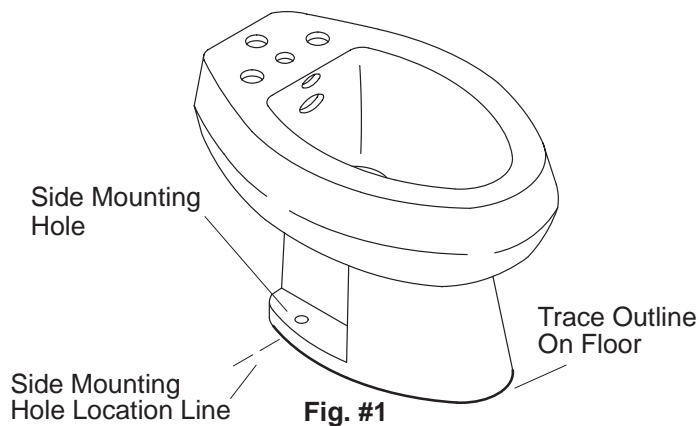
Install the shut-off valves.

INSTALLATION

Install the bidet faucet and drain according to the manufacturer's installation instructions.

Set the bidet on the floor in its mounting location.

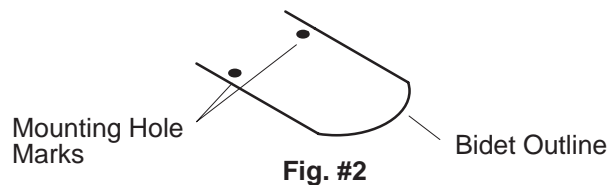
Trace the outline of the bidet base, and mark the location of the two mounting holes.



Remove the bidet from the mounting location.

Drill two 3/16" holes at the marked mounting locations.

Thread the floor bolts (included) into the mounting holes.

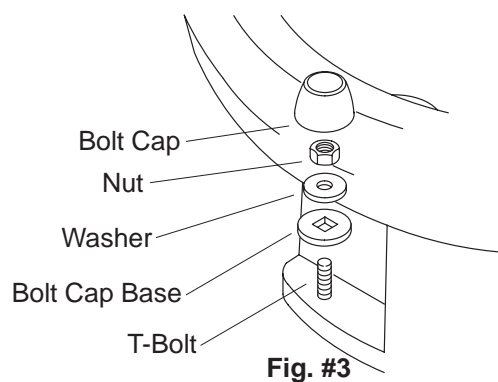


Apply a bead of silicone sealant around the base of the bidet, and set the bidet inside the outline drawn on the floor.

Position the bidet in the mounting location so both floor bolts extend through the bidet mounting holes. Assemble the bolt cap bases, washers, and nuts on the floor bolts. Handtighten the nuts, then tighten them an additional 1/2 turn.



CAUTION: Risk of personal injury or product damage. Vitreous china can chip or break easily if the nuts are overtightened or the product is handled carelessly.



Install the bolt caps.

Connect the water supplies and drain.

Turn on the hot and cold shut-off valves. Check the entire installation for leaks. Repair as required.

Check all connections for leaks for several days.