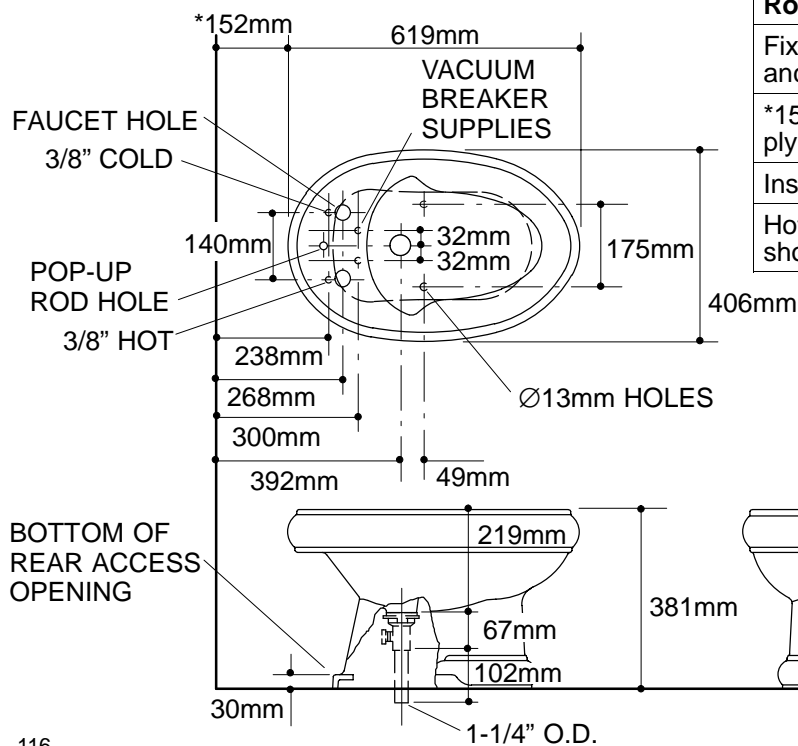


## Ordering Information

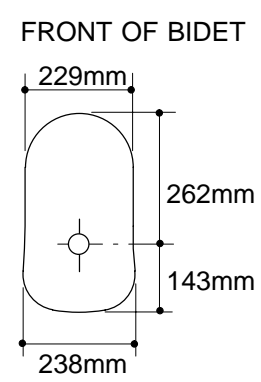
Accessories/hardware:		
Revival faucet	K-16137	recommended
Pillows faucet	K-7956-2	recommended
Taboret faucet	K-8244	recommended

## Product Information

Fixture:	
Configuration	Faucet deck
Outlet	Ø44mm
Spray hole	Ø10mm
Faucet hole	Ø37mm
Pop-up rod hole	Ø16mm
Included Components:	
Floor screws and bolt caps	52049



Roughing-In Notes
Fixture dimensions are nominal and conform to tolerances in AMSE Standard A112.19.2M.
*152mm dimension required to allow for drain and supply connection from rear of bidet.
Install trap in drain line below floor.
Hot and cold and vacuum breaker supply locations should be installed from floor.



116