

Features

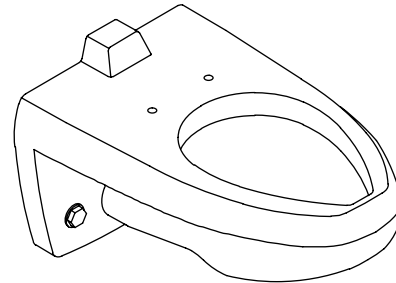
- Vitreous china
- Wall-mount
- With bedpan lugs (-L)
- 1-1/2" rear spud
- 12-3/8" (314 mm) x 11-3/8" (289 mm) water area
- ADA compliant when installed at required height of 17" (432 mm) - 19" (483 mm) from floor to top of seat
- 1.6 gpf (6 lpf)
- 25-5/8" (651 mm) x 16-3/4" (425 mm) x 13-1/4" (337 mm)

BOWL K-4329

ADA

CSA B651

OBC



Codes/Standards Applicable

Specified model meets or exceeds the following:

- ADA
- ICC/ANSI A117.1
- CSA B651
- OBC
- ASME A112.19.2/CSA B45.1

Colors/Finishes

- 0: White
- Other: Refer to Price Book for additional colors/finishes

Accessories

- 0: White
- Other: Refer to Price Book for additional colors/finishes

Specified Model

Model	Description	Colors/Finishes	
K-4329	Elongated bowl toilet	<input type="checkbox"/> 0	<input type="checkbox"/> Other_____
K-4329-L	Elongated bowl toilet with bedpan lugs	<input type="checkbox"/> 0	<input type="checkbox"/> Other_____

Recommended Accessories			
K-4670-C	Lustra™ open front seat	<input type="checkbox"/> 0	<input type="checkbox"/> Other_____
K-4670-CA	Lustra open front seat with anti-microbial agent	<input type="checkbox"/> 0	

Product Specification

The elongated bowl shall be made of vitreous china. Bowl shall be wall-mount with a 1-1/2" rear spud. Bowl shall have 12-3/8" (314 mm) by 11-3/8" (289 mm) water area. Bowl shall be 1.6 gpf (6 lpf). Bowl shall be ADA compliant when installed at required height of 17" (432 mm) - 19" (483 mm) from floor to top of seat. Bowl shall have bed pan lugs (-L). Bowl shall be 25-5/8" (651 mm) in length, 16-3/4" (425 mm) in width, and 13-1/4" (337 mm) in height. Bowl shall be Kohler Model K-4329-_____-_____.

Technical Information

Fixture*:	
Configuration	Rear spud, elongated
Water per flush	1.6 gal (6 L)
Spud size	1-1/2"
Passageway	2-1/4" (57 mm)
Water area	12-3/8" (314 mm) x 11-3/8" (289 mm)
Water depth from rim	5-1/4" (133 mm)
Seat post hole centers	5-1/2" (140 mm)
Minimum static pressure required	35 psi (241.3 kPa)
Maximum static pressure	80 psi (551.6 kPa)
Minimum flowing pressure required	25 psi (172.4 kPa)
Required supply minimum	25 gpm (94.6 lpm)
* Designed to flush with 1.6 gal (6 L) of water when installed with a 1.6 gpf (6 lpf) valve.	

Included components:

Spud	18357
------	-------

Installation Notes

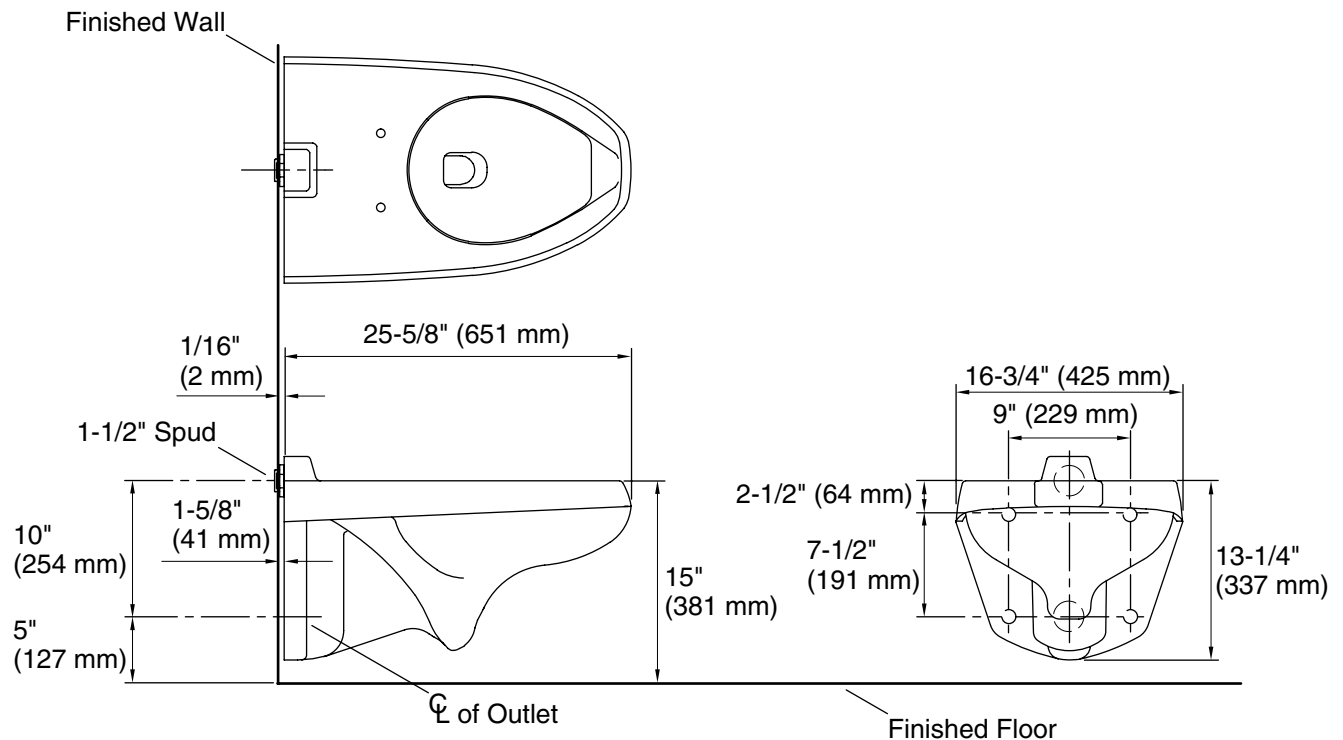
Install this product according to the installation guide.

Refer to manufacturer and local codes for flush valve requirements.

Will comply with the American Disabilities Act (**ADA**) when installed per the requirements of the Accessibility Guidelines, Section 604 Water Closets, of the Act. The Model Plumbing Codes require the installation of elongated open-front toilet seats in public bathrooms.

Will comply with **CSA B651** when installed per Clause 4.3.6 of the standard.

Will comply with **OBC** Barrier Free requirements when installed per Clause 3.8.3.8 and 3.8.3.9.



Product Diagram