

KITCHEN SINK FAUCET

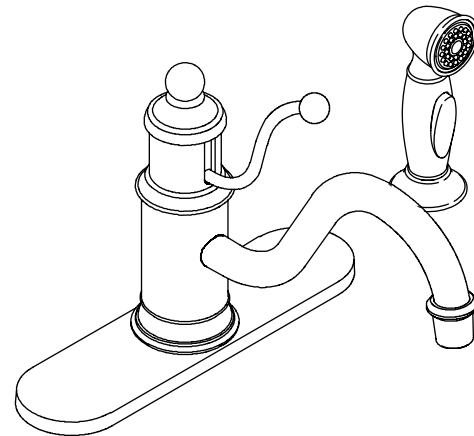
K-168

ALSO K-169, K-170, K-171

ADA

Features

- Brass construction
- One-piece, self-contained ceramic disc valve allows both volume and temperature control
- Temperature memory allows faucet to be turned on and off at any temperature setting
- ADA compliant lever handle
- Single-hole mounting
- 8-1/8" (20.6 cm) swing spout reach
- Available with or without matching finish sidespray
- Available with or without 10" (25.4 cm) escutcheon plate
- Lower flow aerator options are available (refer to the Kohler Price Book)
- 2.2 gpm (8.3 lpm) maximum flow rate



Codes/Standards Applicable

Specified model meets or exceeds the following at date of manufacture:

- ADA
- ASME A112.18.1/CSA B125.1
- ICC/ANSI A117.1
- NSF 61
- ASSE 1014
- Energy Policy Act of 1992
- All applicable US Federal and State material regulations

Colors/Finishes

- BN: Brushed Nickel
- CP: Polished Chrome
- Other: Refer to Price Book for additional colors/finishes

Accessories

- NA: None applicable

Specified Model

Model	Description	Colors/Finishes		
K-168	Kitchen sink faucet – less escutcheon plate, less sidespray	<input type="checkbox"/> CP	<input type="checkbox"/> BN	<input type="checkbox"/> Other _____
K-169	Kitchen sink faucet – less escutcheon plate, with sidespray	<input type="checkbox"/> CP	<input type="checkbox"/> BN	<input type="checkbox"/> Other _____
K-170	Kitchen sink faucet – with escutcheon plate, less sidespray	<input type="checkbox"/> CP	<input type="checkbox"/> BN	<input type="checkbox"/> Other _____
K-171	Kitchen sink faucet – with escutcheon plate, with sidespray (shown)	<input type="checkbox"/> CP	<input type="checkbox"/> BN	<input type="checkbox"/> Other _____

Optional Accessories		
1011402	Sidespray deep roughing-in kit	<input type="checkbox"/> NA

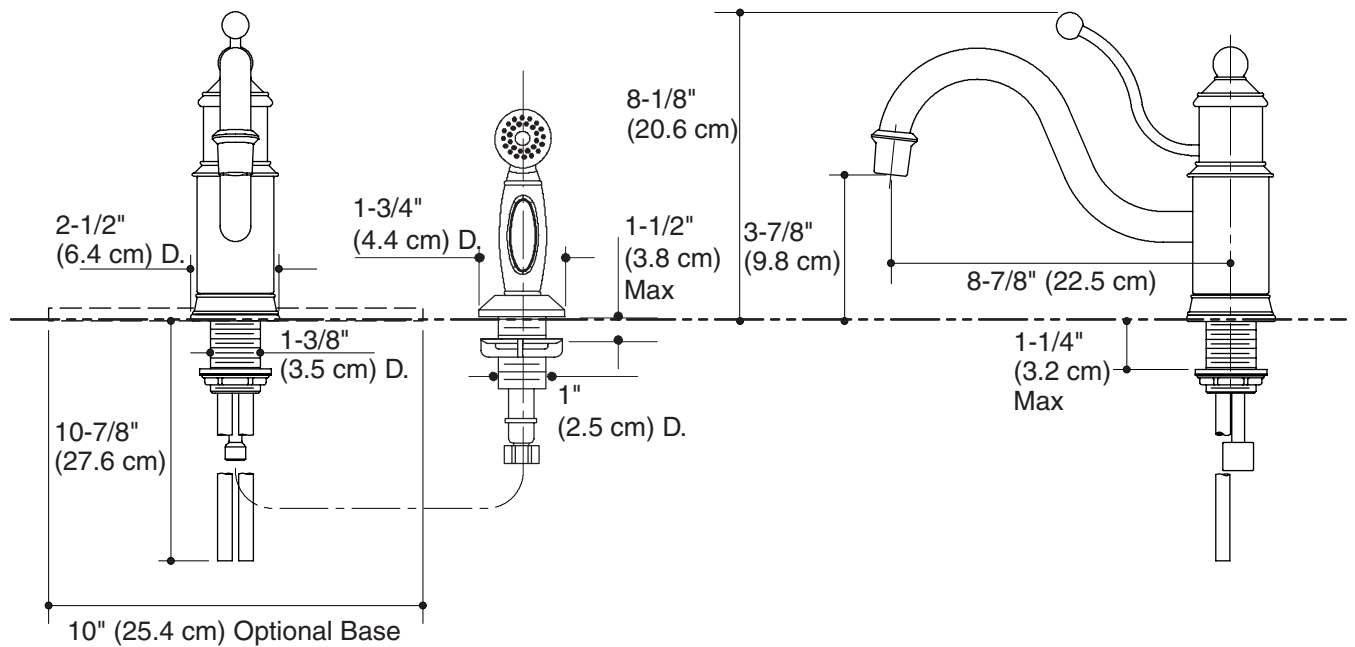
Product Specification

The single-control kitchen sink faucet shall be of brass construction. Product shall feature a 2.2 gallons (8.3 L) per minute maximum flow rate with lower flow aerator options available (refer to the Kohler Price Book). Product shall feature a one-piece, self-contained ceramic disc valve, allowing both volume and temperature control. Product shall feature temperature memory, allowing the faucet to be turned on and off at any temperature setting. Faucet shall feature an 8-1/8" (20.6 cm) swing spout reach and an ADA compliant lever handle. Faucet shall be for single-hole mounting. Product shall be available with or without a 10" (25.4 cm) escutcheon plate. Product shall be available with or without a matching finish sidespray. Faucet shall be Kohler Model K-____-____.

ANTIQUETM

Installation Notes

Install this faucet following the installation instructions provided.



Product Diagram