

**ENTERTAINMENT SINK FAUCET  
K-16112**

**ADA**

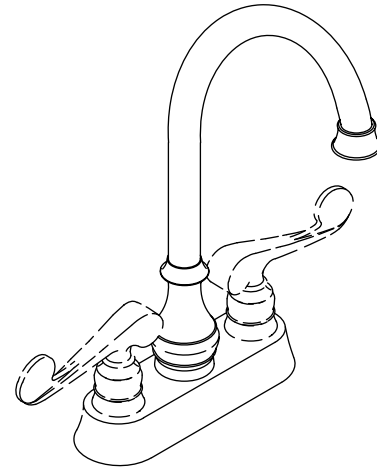
**Features**

- Brass construction
- Brass valve bodies
- Quarter-turn washerless ceramic disc valves
- For 4" (10.2 cm) centers
- 5-3/16" (13.2 cm) fixed gooseneck spout reach
- Available with ADA compliant scroll or traditional lever handles
- Complements Revival® Suite
- Lower flow aerator options are available (refer to the Kohler Price Book)
- 2.2 gpm (8.3 lpm) maximum flow rate

**Codes/Standards Applicable**

Specified model meets or exceeds the following at date of manufacture:


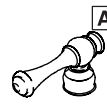
- ADA
- ASME A112.18.1/CSA B125.1
- ICC/ANSI A117.1
- NSF 61
- Energy Policy Act of 1992
- All applicable US Federal and State material regulations



**Colors/Finishes**

- CP: Polished Chrome
- BN: Brushed Nickel
- Other: Refer to Price Book for additional colors/finishes

**Specified Model**

Model	Description	 <b>ADA</b>			 <b>ADA</b>		
		<input type="checkbox"/> CP	<input type="checkbox"/> BN	<input type="checkbox"/> Other ____	<input type="checkbox"/> CP	<input type="checkbox"/> BN	<input type="checkbox"/> Other ____
K-16112-4	Entertainment sink faucet – scroll lever handles	<input type="checkbox"/>	<input type="checkbox"/>	<input type="checkbox"/>			
K-16112-4A	Entertainment sink faucet – traditional lever handles				<input type="checkbox"/>	<input type="checkbox"/>	<input type="checkbox"/>

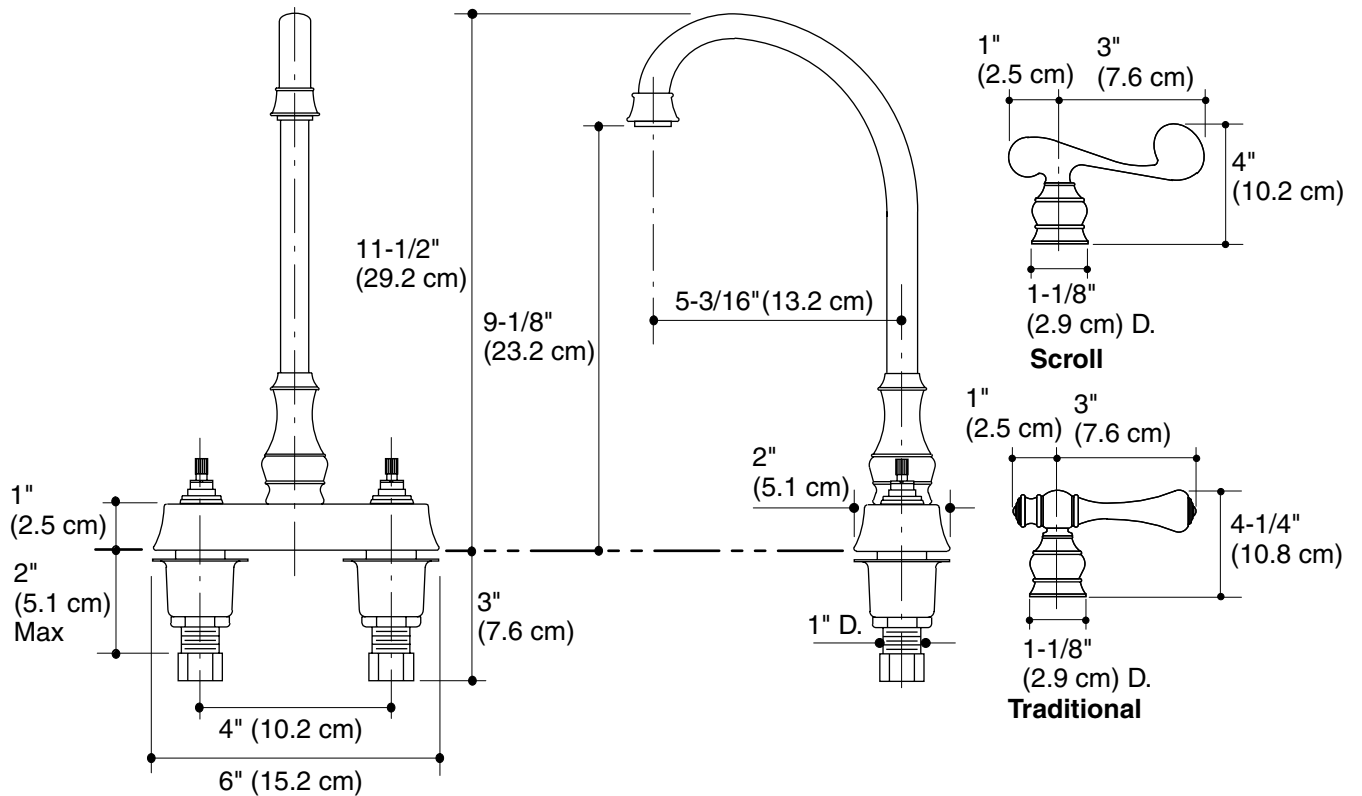
**PRODUCT SPECIFICATION**

The two-handle entertainment sink faucet shall be of brass construction with brass valve bodies. Product shall have a maximum flow rate of 2.2 gallons (8.3 L) per minute with lower flow aerator options available (refer to the Kohler Price Book). Product shall feature quarter-turn washerless ceramic disc valves and a 5-3/16" (13.2 cm) fixed gooseneck spout reach. Product shall be for 4" (10.2 cm) centers. Product shall be available with ADA compliant scroll or traditional lever handles. Product shall complement the Revival Suite. Faucet shall be Kohler Model K-16112-\_\_\_\_-\_\_\_\_.

# REVIVAL®

## Installation Notes

Install this product according to the installation guide.



## Product Diagram