

WALL-MOUNT LAVATORY

K-1721

ALSO K-1723, K-1729

ADA

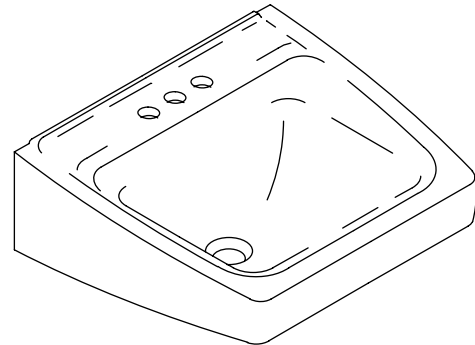
Features

- Vitreous china
- Ledge-back
- With hanger
- With overflow
- Drilled for concealed arm carrier
- 8" (20.3 cm) centers (K-1723), 4" (10.2 cm) centers (K-1729), or single-hole (K-1721)
- 20" (50.8 cm) x 18-1/4" (46.4 cm)

Codes/Standards Applicable

Specified model meets or exceeds the following:

- ADA
- ASME A112.19.2/CSA B45.1
- ICC/ANSI A117.1



Colors/Finishes

- 0: White
- Other: Refer to Price Book for additional colors/finishes

Accessories:

- CP: Polished Chrome

Specified Model

Model	Description	Colors/Finishes	
K-1721	Single-hole lavatory	<input type="checkbox"/> 0	<input type="checkbox"/> Other_____
K-1723	8" (20.3 cm) centers lavatory	<input type="checkbox"/> 0	<input type="checkbox"/> Other_____
K-1729	4" (10.2 cm) centers lavatory	<input type="checkbox"/> 0	<input type="checkbox"/> Other_____
Recommended Accessories			
K-8998	P-Trap	<input type="checkbox"/> CP	

Product Specification

The wall-mount lavatory shall be made of vitreous china. Lavatory shall be ledge-back with hanger. Lavatory shall have overflow. Lavatory shall be drilled for concealed arm carrier. Lavatory shall have 8" (20.3 cm) centers (K-1723), 4" (10.2 cm) centers (K-1729), or be single-hole (K-1721). Lavatory shall be 20" (50.8 cm) in length and 18-1/4" (46.4 cm) in width. Lavatory shall be Kohler Model K-_____-_____.

CHESAPEAKE™

Technical Information

Lavatory is ADA compliant. ADA	
Fixture*:	
Basin area	21" (53.3 cm) x 12" (30.5 cm)
Water depth	4-7/8" (12.4 cm)
Drain hole	1-3/4" (4.4 cm) D.
* Approximate measurements for comparison only.	

Holes	K-1723	K-1729	K-1721
Spout	1-3/8" (3.5 cm) D.	1-1/4" (3.2 cm) D.	1-3/8" (3.5 cm) D.
Faucet	1-3/8" (3.5 cm) D.	1-1/4" (3.2 cm) D.	NA

Included component:	
Hanger	64839

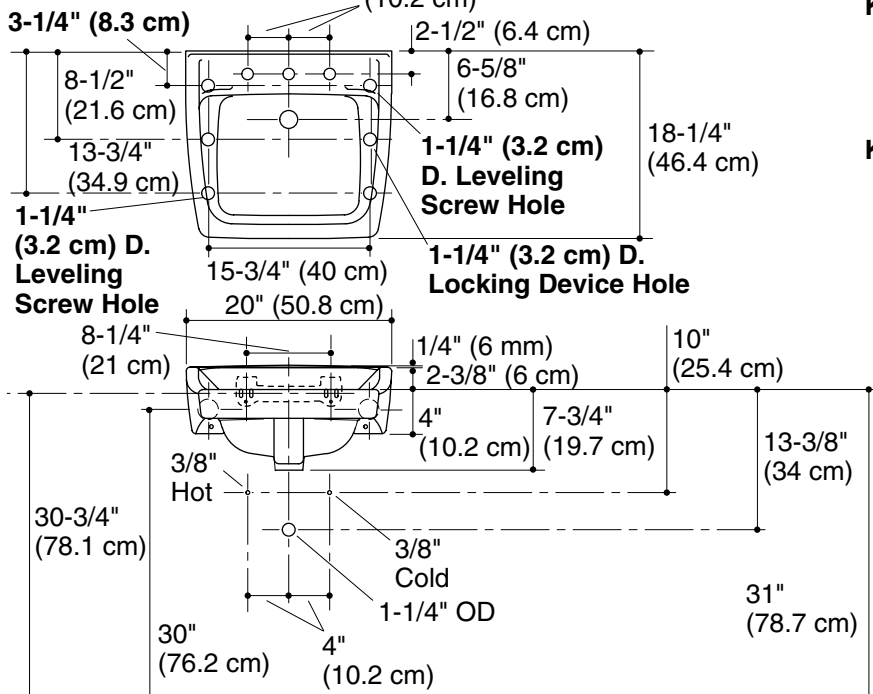
Installation Notes

Install this product according to the installation guide.

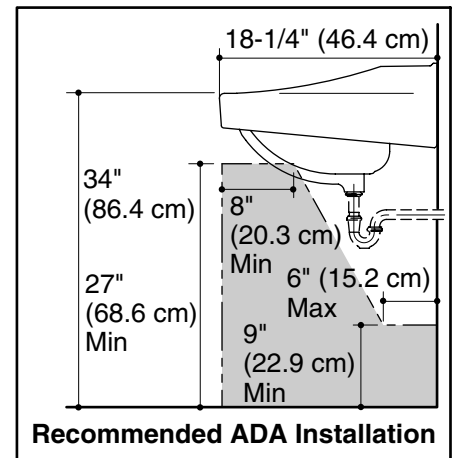
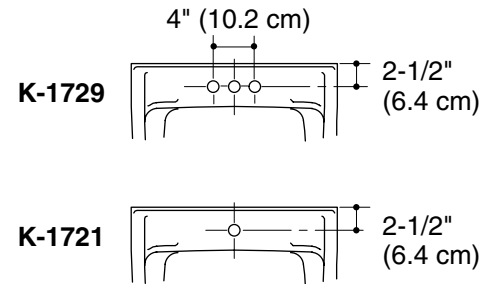
Concealed arm carrier required for commercial installation, **NOT** supplied by Kohler Co.

Supplied hanger not used with concealed arm carrier.

Concealed Arm Hole Locations



Standard Installation



Recommended ADA Installation

Product Diagram