

COMFORT HEIGHT® TOILET K-3678

Features

- Vitreous china
- Elongated bowl
- Class Five® flushing system
- Less seat and supply
- 12" (30.5 cm) rough-in
- 1.28 gpf (4.8 lpf)
- 2-1/8" (5.4 cm) glazed trapway
- 11-3/4" (29.8 cm) x 9-1/4" (23.5 cm) water area
- 30-1/2" (77.5 cm) x 17-1/4" (43.8 cm) x 31" (78.7 cm)

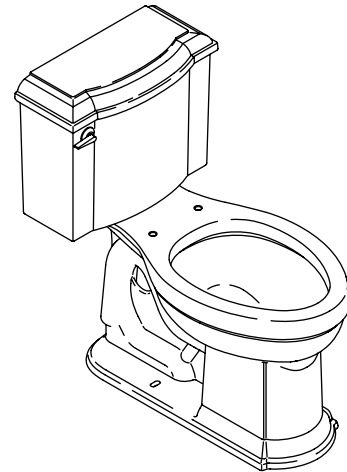
ADA CSA B651 OBC



Codes/Standards Applicable

Specified model meets or exceeds the following:

- ADA
- CSA B651
- OBC
- ASME A112.19.2/CSA B45.1
- Energy Policy Act of 1992
- EPA WaterSense®



Colors/Finishes

- 0: White
- Other: Refer to Price Book for additional colors/finishes

Accessories

- 0: White
- CP: Polished Chrome
- PB: Vibrant® Polished Brass
- Other: Refer to Price Book for additional colors/finishes

Specified Model

Model	Description	Trip Lever	Colors/Finishes	
K-3678	Comfort Height toilet	left-hand	<input type="checkbox"/> 0	<input type="checkbox"/> Other_____
Recommended Accessories				
K-7637	Angle supply with stop – 3/8" NPT		<input type="checkbox"/> CP	<input type="checkbox"/> PB <input type="checkbox"/> Other_____

Product Specification

The elongated bowl toilet shall be made of vitreous china. Toilet shall be 30-1/2" (77.5 cm) in depth, 17-1/4" (43.8 cm) in width, and 31" (78.7 cm) in height with a 11-3/4" (29.8 cm) x 9-1/4" (23.5 cm) water area. Toilet shall be 1.28 gpf (4.8 lpf) with Class Five® flushing system. Toilet shall be 12" (30.5 cm) rough-in, and 2-1/8" (5.4 cm) glazed trapway. Toilet shall be less seat and supply. Toilet shall be Kohler Model K-3678-_____.

DEVONSHIRE®

Optional Accessories

K-4650 Lustra™ elongated open-front toilet seat – for Accessibility compliance

0

Other_____

Technical Information

Fixture:	
Configuration	two-piece, elongated
Water per flush	1.28 gal (4.8 L)
Passageway	2-1/8" (5.4 cm)
Water area	11-3/4" (29.8 cm) x 9-1/4" (23.5 cm)
Water depth from rim	6" (15.2 cm)
Seat post hole centers	5-1/2" (14 cm)

Included components:

Bowl	K-4288
Toilet tank with left-handed trip lever	K-4446
Tank cover	1044820
Trip lever	1126917
Bolt cap accessory pack	1013092
Tank attachment kit	1016548

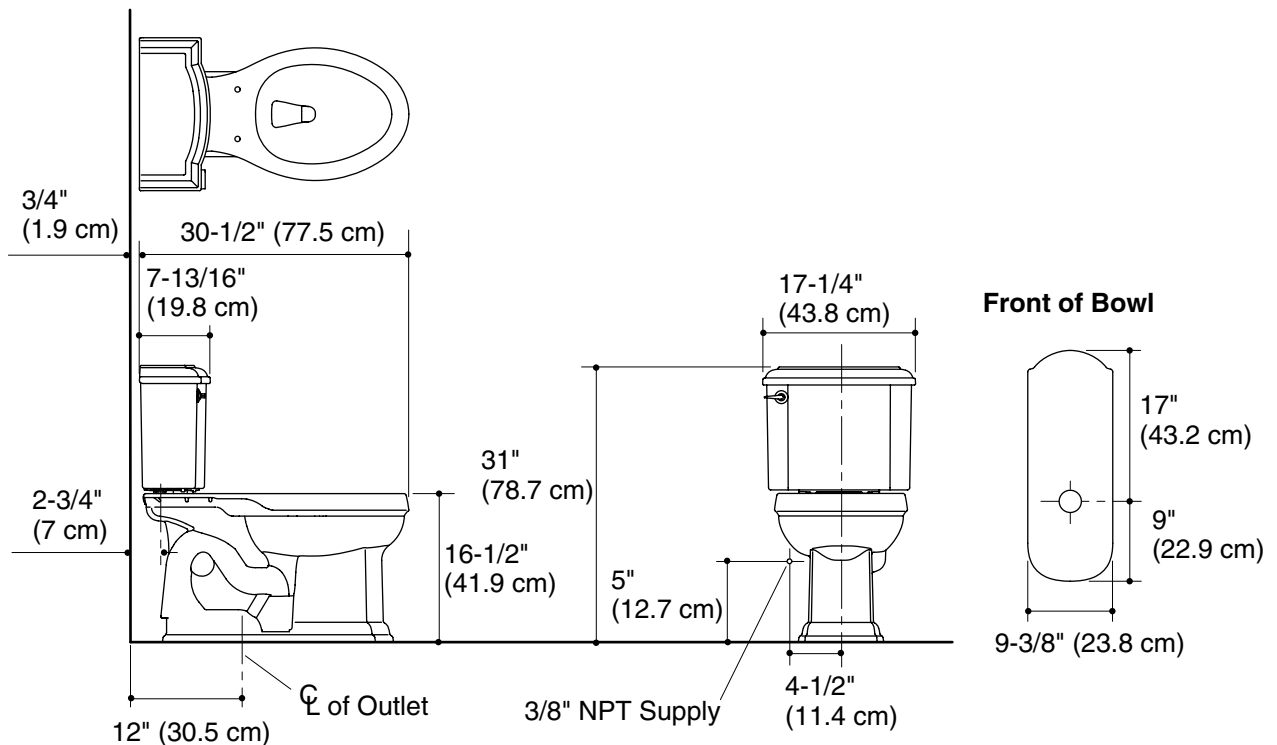
Installation Notes

Install this product according to the installation guide.

Will comply with the American Disabilities Act (**ADA**) when installed per the requirements of the Accessibility Guidelines, Section 604 Water Closets, of the Act. The Model Plumbing Codes require the installation of elongated open-front toilet seats in public bathrooms.

Will comply with **CSA B651** when installed per Clause 4.3.6 of the standard.

Will comply with **OBC** installed per Clause 3.8.3.8 and 3.8.3.9.



Product Diagram