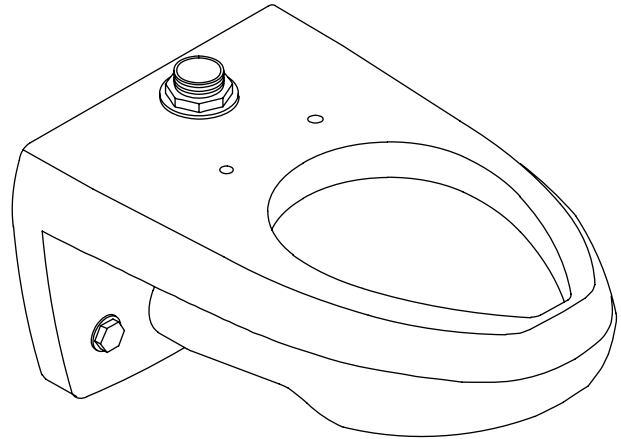


Features

- 1-1/2" top spud
- Vitreous china
- Elongated bowl
- Wall-mount
- 1.6 gpf (6 lpf)
- ADA compliant when installed at required height of 17" (43.2 cm) - 19" (48.3 cm) from floor to top of seat
- With bedpan lugs (-L)
- Siphon jet
- 12-3/8" (31.4 cm) x 11-3/8" (28.9 cm) water area

BOWL K-4330

ADA



Codes/Standards Applicable

Specified model meets or exceeds the following:

- ADA
- ASME A112.19.2/CSA B45.1
- ICC/ANSI A117.1

Colors/Finishes

- 0: White
- Other: Refer to Price Book for additional colors/finishes

Accessories

- 0: White
- Other: Refer to Price Book for additional colors/finishes

Specified Model

Model	Description	Colors/Finishes	
K-4330	Elongated bowl toilet	<input type="checkbox"/> 0	<input type="checkbox"/> Other _____
K-4330-L	Elongated bowl toilet with bedpan lugs	<input type="checkbox"/> 0	<input type="checkbox"/> Other _____
Recommended Accessories			
K-4670-C	Lustra™ open front seat	<input type="checkbox"/> 0	<input type="checkbox"/> Other _____
K-4670-CA	Lustra™ open front seat (with anti-microbial agent)	<input type="checkbox"/> 0	

Product Specification

The elongated bowl shall be wall-mount with a 1-1/2" top spud. Bowl shall be made of vitreous china. Bowl shall have 12-3/8" (31.4 cm) x 11-3/8" (28.9 cm) water area. Bowl shall be 1.6 gpf (6 lpf). Bowl shall be ADA compliant when installed at required height of 17" (43.2 cm) - 19" (48.3 cm) from the floor to the top of the seat. Bowl shall have bedpan lugs (-L). Bowl shall have siphon jet. Bowl shall be Kohler Model K-4330-_____

Technical Information

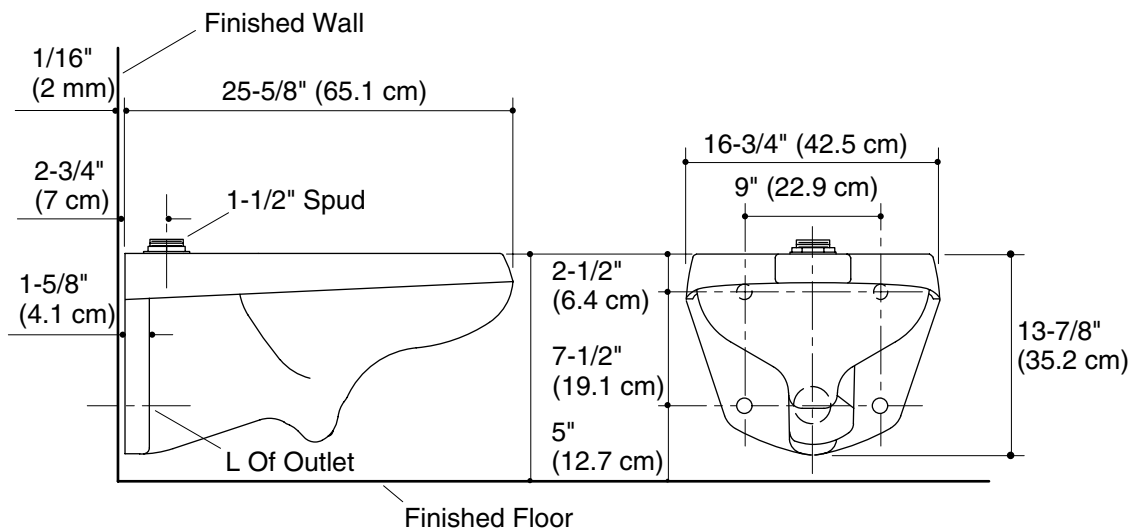
ADA compliant	
Fixture:	
Configuration	top spud, elongated
Water per flush	1.6 gallons (6 L)*
Spud size	1-1/2"
Passageway	2-1/4" (5.7 cm)
Water area	12-3/8" (31.4 cm) x 11-3/8" (28.9 cm)
Water depth from rim	5-1/4" (13.3 cm)
Seat post hole centers	5-1/2" (14 cm)
* Designed to flush with 1.6 (6 L) gallons of water when installed with a 1.6 (6 L) gpf flush valve.	
Included components:	
Spud	18357
Flush valve requirements: Refer to manufacturer and local codes.	

Installation Notes

Install this product according to the installation guide.

Will comply with the American Disabilities Act (ADA) when installed per the requirements of the Accessibility Guidelines, Section 604 Water Closets, of the Act. The Model Plumbing Codes require the installation of elongated open-front toilet seats in public bathrooms.

Refer to manufacturer and local codes for flush valve requirements.



Product Diagram