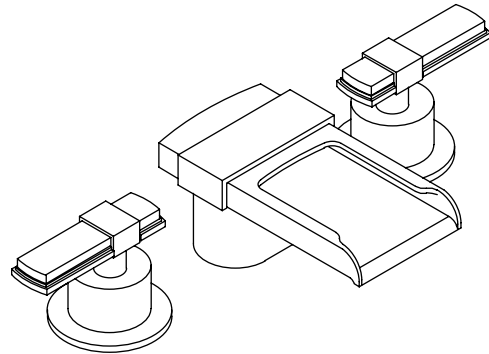


**LAVATORY FAUCET
K-7980**

ADA

Features

- Brass construction
- Flexible connections for easy installation
- Brass valve bodies
- Quarter-turn washerless ceramic disc valves
- Pop-up drain with lift rod and tailpiece
- 4-1/2" (11.4 cm) Flume™ spout
- 2.0 gallons (7.6 L) per minute
- Available with square or lever handles
- Matching brushed metal insets



Codes/Standards Applicable

Specified model meets or exceeds the following:

- ASME 112.18.1/CSA B125
- Energy Policy Act of 1992
- IAPMO/cUPC
- ADA
- NSF 61

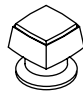

Colors/Finishes

- CP: Polished Chrome

Accessories

- CP: Polished Chrome
- PB: Vibrant® Polished Brass
- Other: Refer to Price Book for additional colors/finishes

Specified Model

Model	Description		
K-7980-2	Lavatory faucet with square handles	<input type="checkbox"/> CP	
K-7980-4	Lavatory faucet with lever handles		<input type="checkbox"/> CP

Optional Accessories				
K-9923	Large handle metal inset, single	<input type="checkbox"/> CP	<input type="checkbox"/> PB	<input type="checkbox"/> Other_____
K-9932	Large handle champlve inset, single			<input type="checkbox"/> Other_____
K-9971	Small lever metal inset, single	<input type="checkbox"/> CP	<input type="checkbox"/> PB	<input type="checkbox"/> Other_____

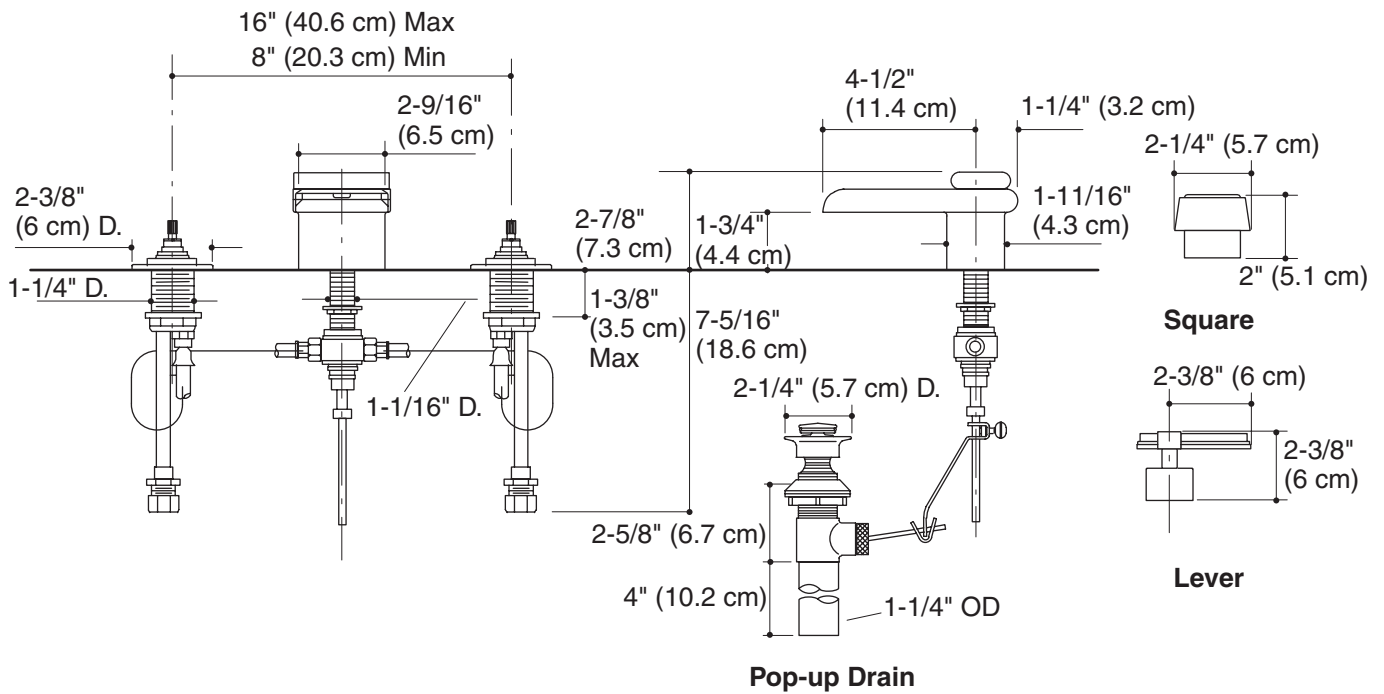
Product Specification

Two-handle widespread lavatory faucet shall be of brass construction. Faucet shall feature brass valve bodies. Faucet shall feature quarter-turn washerless ceramic disc valves. The faucet shall be 2.0 gallons (7.6 L) per minute. Product shall include flexible connections for easy installations, 4-1/2" (11.4 cm) Flume™ spout, pop-up drain with lift rod and tailpiece, and handles with matching brushed metal insets. Faucet shall be Kohler Model K-7980-_____-_____.

ALTERNA®

Installation Notes

Install this product according to the installation guide.



Product Diagram