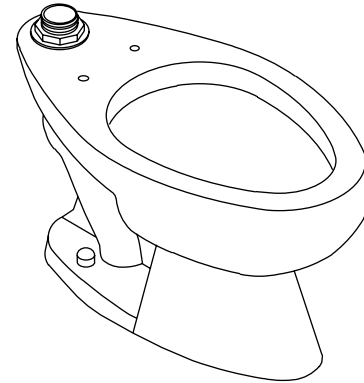


BOWL K-4350

Features

- Vitreous china
- With bedpan lugs (-L)
- 1-1/2" top spud
- 2-1/4" (5.7 cm) passageway
- 1.6 gpf (6 lpf)
- 10" (25.4 cm) or 12" (30.5 cm) rough-in
- 11-3/8" (28.9 cm) x 10-3/8" (26.4 cm) water area
- 26" (66 cm) x 14-1/2" (36.8 cm) x 14-3/4" (37.5 cm)



Codes/Standards Applicable

Specified model meets or exceeds the following:

- ASME A112.19.2/CSA B45.1

Colors/Finishes

- 0: White
- Other: Refer to Price Book for additional colors/finishes

Accessories:

- 0: White
- Other: Refer to Price Book for additional colors/finishes

Specified Model

Model	Description	Colors/Finishes	
K-4350	Elongated bowl toilet	<input type="checkbox"/> 0	<input type="checkbox"/> Other_____
K-4350-B	Elongated bowl toilet with bolt holes	<input type="checkbox"/> 0	<input type="checkbox"/> Other_____
K-4350-L	Elongated bowl toilet with bedpan lugs	<input type="checkbox"/> 0	<input type="checkbox"/> Other_____
Recommended Accessories			
K-4670-C	Lustra™ open front seat	<input type="checkbox"/> 0	<input type="checkbox"/> Other_____
K-4670-CA	Lustra open front seat with anti-microbial agent	<input type="checkbox"/> 0	

Product Specification

The elongated bowl shall be capable of either 10" (25.4 cm) or 12" (30.5 cm) rough-in with 1-1/2" top spud. Bowl shall be made of vitreous china. Bowl shall be 1.6 gpf (6 lpf). Bowl shall have 2-1/4" (5.7 cm) passageway. Bowl shall have 11-3/8" (28.9 cm) by 10-3/8" (26.4 cm) water area. Bowl shall have bedpan lugs (-L). Bowl shall be 26" (66 cm) in length, 14-1/2" (36.8 cm) in width, and 14-3/4" (37.5 cm) in height. Bowl shall be Kohler Model K-4350-_____-_____.

WELLCOMME™

Technical Information

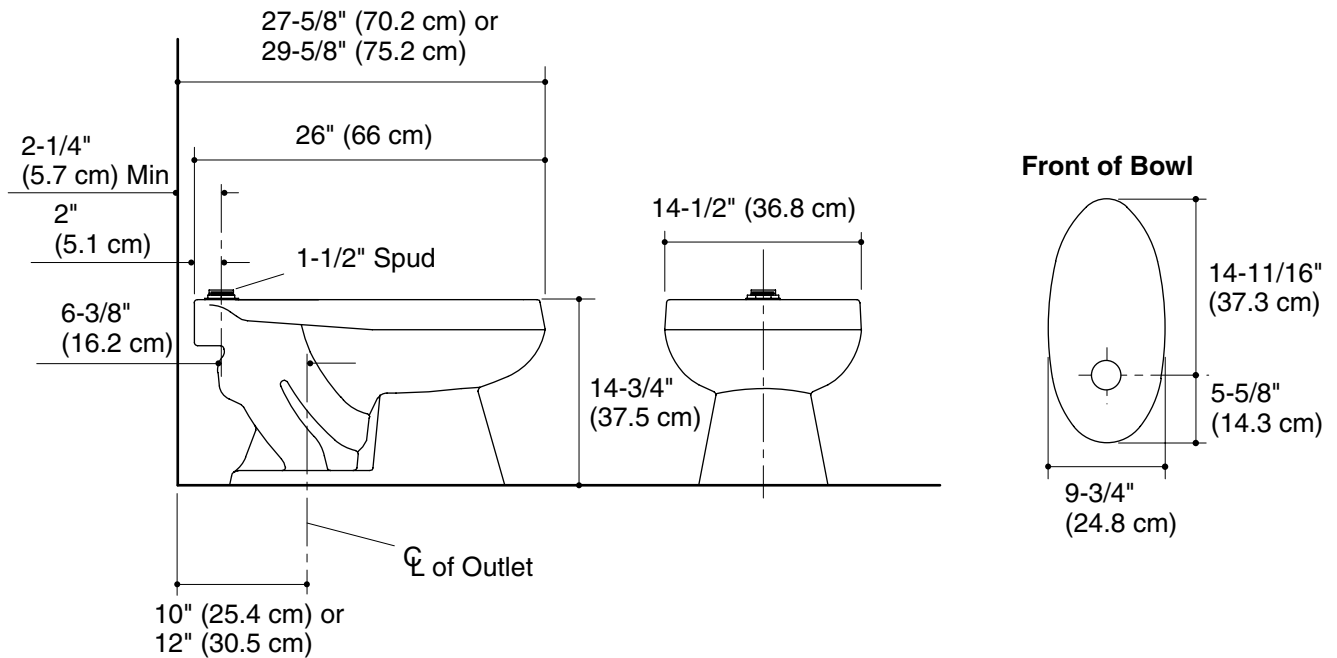
Fixture:	
Configuration	Top spud, elongated
Water per flush	1.6 gal (6 L)*
Spud size	1-1/2"
Passageway	2-1/4" (5.7 cm)
Water area	11-3/8" (28.9 cm) x 10-3/8" (26.4 cm)
Water depth from rim	6" (15.2 cm)
Seat post hole centers	5-1/2" (14 cm)
* Designed to flush with 1.6 gal (6 L) of water when installed with a 1.6 gpf (6 lpf) valve.	

Included components:	
Spud	18357
Bolt caps (pair)	52048

Installation Notes

Install this product according to the installation guide.

Refer to manufacturer and local codes for flush valve requirements: for 12" (30.5 cm) rough-in, sweat extension nipple is required.



Product Diagram