



# IV GEORGES BRASS®

## Required Accessories

K-146	Ceramic dial faceplate	<input type="checkbox"/> Other_____
K-304-K	Rite-Temp® valve without stops <b>OR</b>	<input type="checkbox"/> NA
K-304-KS	Rite-Temp® valve with stops <b>OR</b>	<input type="checkbox"/> NA
K-306-KS	HiFlow Rite-Temp® valve with integral stops	<input type="checkbox"/> NA

## Optional Accessories

K-6791	IV Georges Brass accent kit (For K-6808-3D)	<input type="checkbox"/> PB	<input type="checkbox"/> Other_____
K-6798	IV Georges Brass accent kit (For K-6808-4D)	<input type="checkbox"/> PB	<input type="checkbox"/> Other_____
58223	Deep roughing-in kit for K-304 valve (lever handles)	<input type="checkbox"/> CP	<input type="checkbox"/> Other_____
58224	Deep roughing-in kit for K-304 valve (cross handles)	<input type="checkbox"/> CP	<input type="checkbox"/> Other_____
88526	Thin wall installation kit for K-306 valve	<input type="checkbox"/> CP	<input type="checkbox"/> Other_____

## Installation Notes



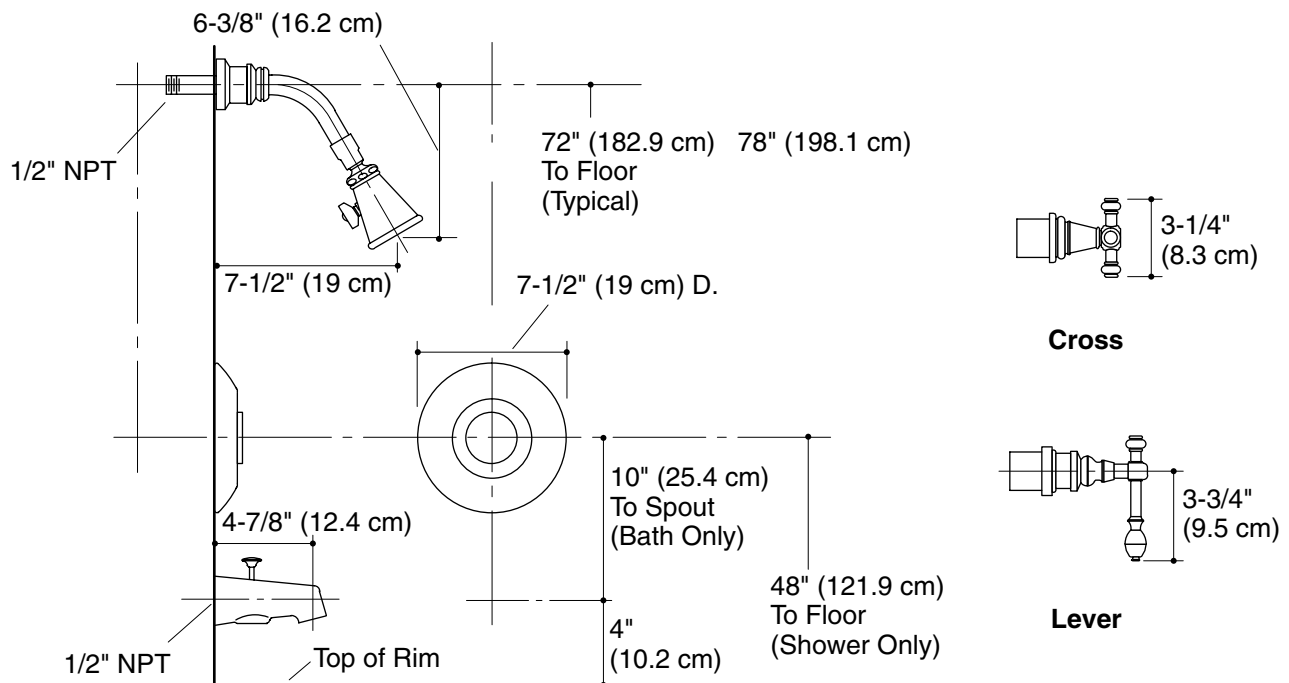
**WARNING: Risk of damage to the K-306-KS valve assembly.** When using the K-306-KS valve in a fiberglass or acrylic installation, use the thin wall installation kit (88526).

Cap shower outlet if deck-mount spout, diverter, or handshower is connected to spout outlet.

Install straight pipe or tube drop of 7" (17.8 cm) to 18" (45.7 cm) with single elbow between valve and wall-mount spout.

Install this product according to the installation guide.

Avoid cross-flow conditions. Do not install shut-off device on either valve outlet.



## Product Diagram