

DUAL FLUSH TOILET K-3598



Features

- Vitreous china
- Elongated bowl
- Comfort Height®
- Two-bolt installation system
- Combination toilet
- Dual Flush flushing system
- Includes polished chrome push buttons
- Seat post holes with 5-1/2" (14 cm) centers
- 12" (30.5 cm) rough-in
- 1.6 gpf (6 lpf) or 0.9 gpf (3.4 lpf)
- 4-1/4" (10.8 cm) x 6-5/16" (16 cm) water area
- 27-3/4" (70.5 cm) x 14-5/16" (36.4 cm) x 33-1/4" (84.5 cm)



Codes/Standards Applicable

Specified model meets or exceeds the following:

- ASME A112.19.2/CSA B45.1
- ASME A112.19.14
- EPA WaterSense®

Colors/Finishes

- 0: White
- CP: Polished Chrome
- Other: Refer to Price Book for additional colors/finishes

Specified Model

Model	Description	Colors/Finishes	
K-3598	Dual Flush toilet	<input type="checkbox"/> 0	<input type="checkbox"/> Other_____
Required Accessories			
K-4659	Bancroft® elongated toilet seat OR	<input type="checkbox"/> 0	<input type="checkbox"/> Other_____
K-4685	Bancroft® elongated toilet seat OR	<input type="checkbox"/> 0	<input type="checkbox"/> Other_____
K-4694	Ridgewood® elongated toilet seat OR	<input type="checkbox"/> 0	<input type="checkbox"/> Other_____
K-4761	Avantis™ Quiet-Close™ elongated toilet seat		<input type="checkbox"/> Other_____
Recommended Accessories			
K-7659	3/8" NPT angle stop OR	<input type="checkbox"/> CP	<input type="checkbox"/> Other_____
K-7660	1/2" NPT angle stop OR	<input type="checkbox"/> CP	<input type="checkbox"/> Other_____

Product Specification

The elongated combination toilet shall be made of vitreous china. Toilet shall be 27-3/4" (70.5 cm) in length, 14-5/16" (36.4 cm) in width, and 33-1/4" (84.5 cm) in height with a 4-1/4" (10.8 cm) x 6-5/16" (16 cm) water area. Toilet shall be Comfort Height. Toilet shall be two-bolt installation and 12" (30.5 cm) rough-in. Toilet shall be 1.6 gpf (6 lpf) or 0.9 gpf (3.4 lpf) with Dual Flush flushing system. Toilet shall have seat post holes with 5-1/2" (14 cm) centers and include polished chrome push buttons. Toilet shall be Kohler Model K-3598-_____.

STRELA™

Recommended Accessories continued

K-7668	3/8" NPT straight stop OR	<input type="checkbox"/> CP	<input type="checkbox"/> Other_____
K-7678	1/2" NPT straight stop	<input type="checkbox"/> CP	<input type="checkbox"/> Other_____

Technical Information

Fixture:	
Configuration	two-piece, elongated
Water per flush	1.6 gpf (6 lpf) or 0.9 gpf (3.4 lpf)
Passageway	2" (5.1 cm)
Water area	4-1/4" (10.8 cm) x 6-5/16" (16 cm)
Water depth from rim	8-1/8" (20.6 cm)
Seat post hole centers	5-1/2" (14 cm)

Included components:	
Bowl	K-4379
Tank	K-4742
Tank cover	1080568
Push buttons	1072961

Installation Notes

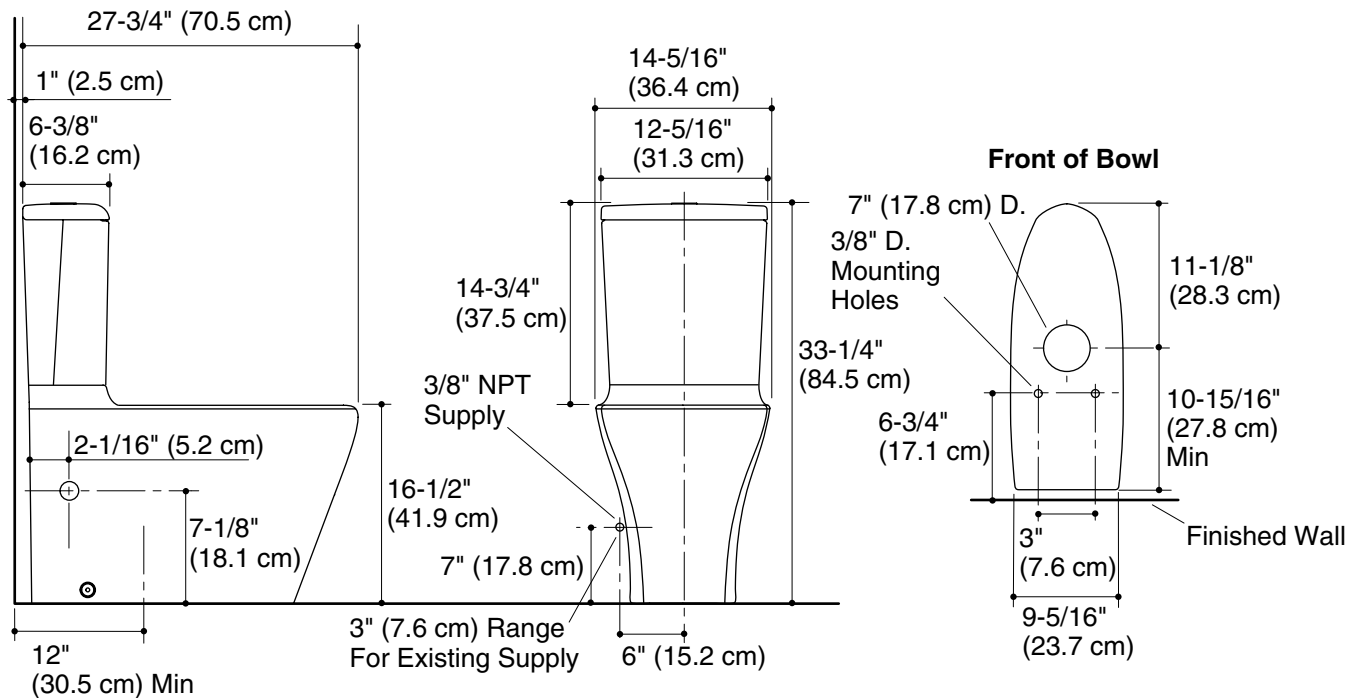
IMPORTANT! The rough-in must be 12" (30.5 cm) from the finished wall or baseboard. Install or relocate the supply and outlet as necessary to conform to rough-in dimensions.

NOTE: If a baseboard interferes with the toilet, it must be cut or removed to allow space for the toilet.

If this toilet is installed to new construction, install a new supply stop following the dimensions in the diagram.

In installations with the supply stop installed, the existing supply stop may need to be relocated if it is less than 6" (15.2 cm) from the centerline of the toilet. Dry fit the toilet to confirm if the supply stop needs to be relocated.

Install this product according to the installation guide.



Product Diagram