

**Features**

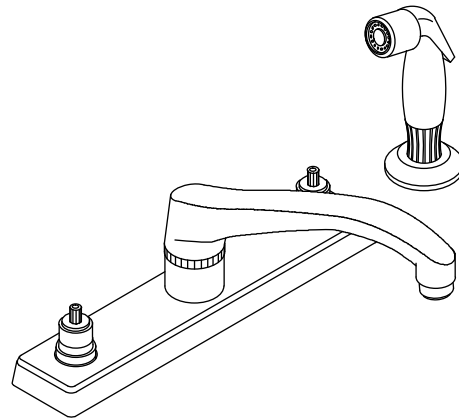
- Brass construction
- Brass valve bodies
- Quarter-turn washerless ceramic disc valves
- Available with or without matching finish sidespray
- Escutcheon plate
- For 8" (203 mm) centers
- Lower flow aerator options are available (refer to the Kohler Price Book)
- Variety of handle style options
- 8-1/8" (206 mm) swing spout reach
- 2.2 gpm (8.3 lpm) maximum flow rate

**KITCHEN SINK BASE FAUCET  
K-7825-K  
ALSO K-7827-K**

ADA

CSA B651

OBC



**Codes/Standards Applicable**

Specified model meets or exceeds the following at date of manufacture:

- ADA
- CSA B651
- OBC
- ASME A112.18.1/CSA B125.1
- NSF 61
- Energy Policy Act of 2005
- All applicable US Federal and State material regulations

**Colors/Finishes**

- CP: Polished Chrome

**Accessories**

- CP: Polished Chrome





**Specified Model**

Model	Description	Colors/Finishes
K-7825-K	Kitchen sink base faucet – without handspray	<input type="checkbox"/> CP
K-7827-K	Kitchen sink base faucet – with handspray (shown)	<input type="checkbox"/> CP

**Product Specification**

The kitchen sink base faucet shall be of brass construction with brass valve bodies. Product shall feature a 2.2 gpm (8.3 lpm) maximum flow rate with lower flow aerator options available (refer to the Kohler Price Book). Product shall feature quarter-turn washerless ceramic disc valves, an 8-1/8" (206 mm) swing spout reach, and an escutcheon plate. Product shall be available with or without a matching finish sidespray. Product shall have a variety of handle style options available. Product shall be for 8" (203 mm) centers. The kitchen sink base faucet shall be Kohler Model K-\_\_\_\_-K-CP and required handles shall be Kohler Model K-16010-\_\_\_\_-CP.

# TRITON®

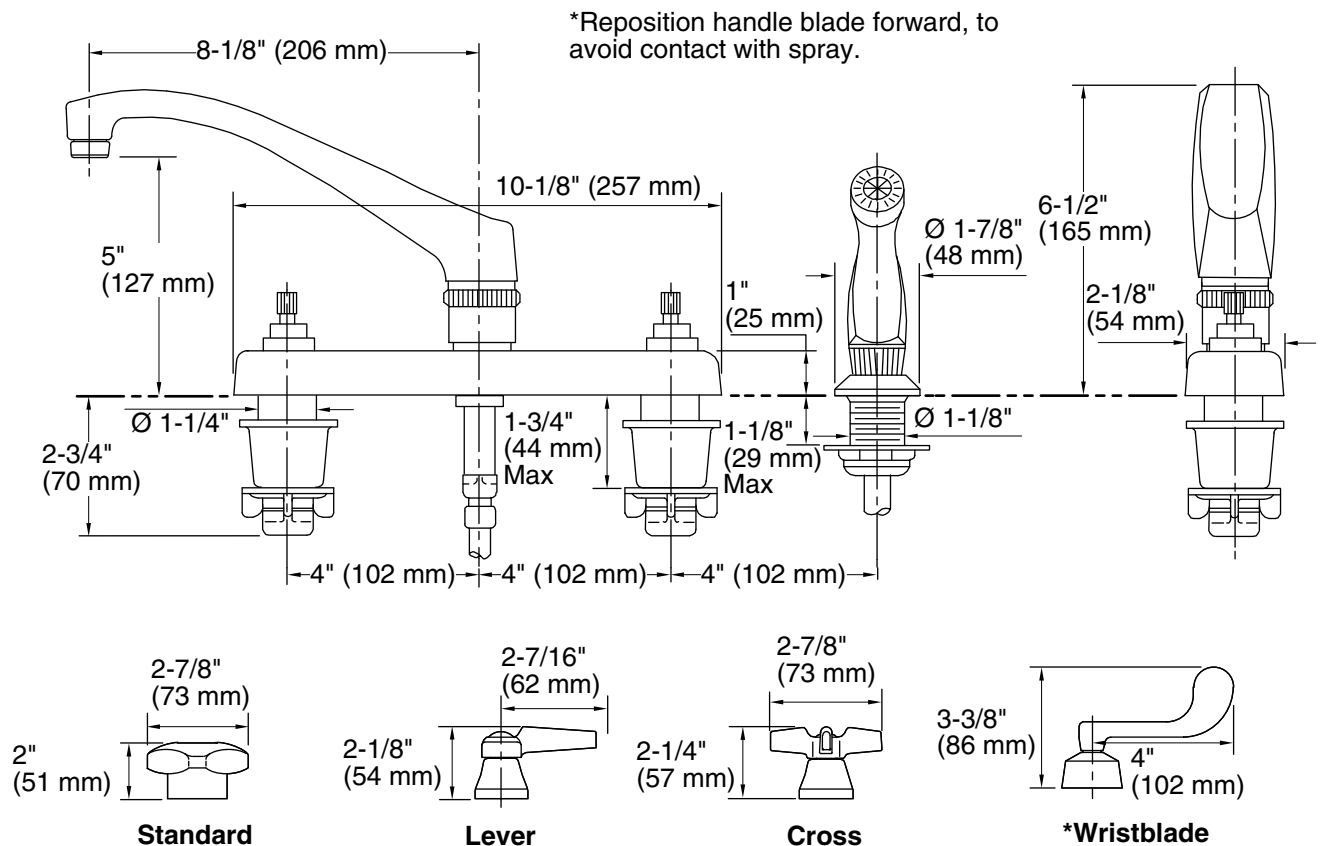
Required Accessories			 ADA	 ADA	 ADA CSA B651 OBC
K-16010-2	Standard handles <b>OR</b>	<input type="checkbox"/> CP			
K-16010-3	Cross handles <b>OR</b>		<input type="checkbox"/> CP		
K-16010-4	Lever handles <b>OR</b>			<input type="checkbox"/> CP	
K-16010-5	Wristblade lever handles				<input type="checkbox"/> CP

Optional Accessories		
1011402	Sidespray deep roughing-in kit	<input type="checkbox"/> NA
1160595	Medium Spray 0.35 gpm (1.32 lpm) – Insert only	<input type="checkbox"/> NA
_____	Additional flow options are available (refer to the Price Book)	<input type="checkbox"/> NA

## Installation Notes

Install this product according to the installation guide.

**ADA, CSA B651, OBC** compliant when installed to the specific requirements of these regulations.



## Product Diagram