

**Features**

- Brass construction
- Dual control wall-mounted
- Lever handles are ADA compliant
- Less drain
- Stationary spout
- 4-9/16" (116 mm) min to 6-1/16" (154 mm) max spout from the wall to center of the outlet
- 1.5 gallons (5.7 liters) per minute maximum flow rate

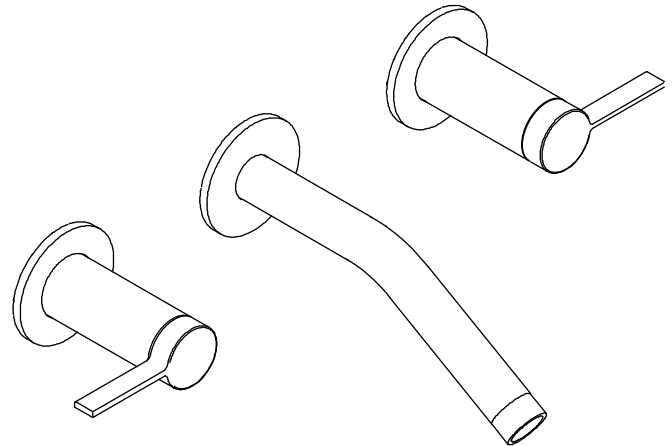
**WALL-MOUNT BATHROOM SINK TRIM  
K-T944-4**



**Codes/Standards Applicable**

Specified model meets or exceeds the following at date of manufacture:

- ADA
- ASME A112.18.1/CSA B125.1
- ICC/ANSI A117.1
- NSF 61
- EPA WaterSense®
- All applicable US Federal and State material regulations



**Colors/Finishes**

- CP: Polished Chrome
- Other: Refer to Price Book for additional colors/finishes

**Accessories**

- CP: Polished Chrome
- NA: None applicable
- Other: Refer to Price Book for additional colors/finishes

**Specified Model**

Model	Description	Colors/Finishes	
K-T944-4	Wall-mount bathroom sink trim	<input type="checkbox"/> CP	<input type="checkbox"/> Other _____
Required Accessories			
K-410-K	Wall-mount bathroom sink valve	<input type="checkbox"/> NA	

**Product Specification**

The wall-mount bathroom sink trim shall be of brass construction. Product shall have a maximum flow rate of 1.5 gallons (5.7 liters) per minute. Product shall be dual control wall-mounted. Product shall feature a 4-9/16" (116 mm) min to 6-1/16" (154 mm) max spout from the wall to center of the outlet. Product shall feature ADA compliant lever handles and a stationary spout. Product shall be less drain. Faucet shall be Kohler Model K-T944-4-\_\_\_\_ with required K-410-K-NA valve.

# STILLNESS®

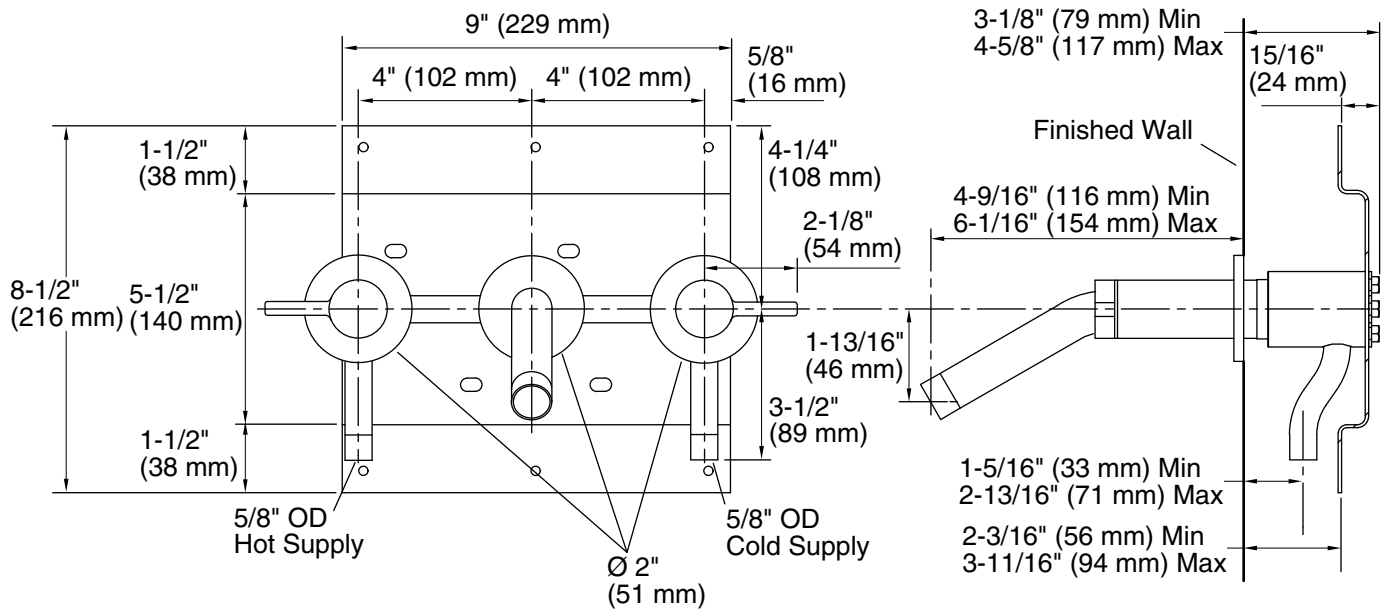
Optional Accessories			
K-7114	Pop-up bathroom sink drain	<input type="checkbox"/>	<input type="checkbox"/> CP <input type="checkbox"/> Other_____
K-7124	Touch-activated bathroom sink drain	<input type="checkbox"/>	<input type="checkbox"/> CP <input type="checkbox"/> Other_____
K-7127	Bathroom sink drain with non-removable metal stopper	<input type="checkbox"/>	<input type="checkbox"/> CP <input type="checkbox"/> Other_____
K-7129	Bathroom sink grid drain	<input type="checkbox"/>	<input type="checkbox"/> CP <input type="checkbox"/> Other_____
_____	Additional flow options are available (refer to the Kohler Price Book)	<input type="checkbox"/> NA	

## Installation Notes

Install this product according to the installation guide.

A minimum of 4" (102 mm) must be maintained between the bottom of the spout and the top of the fixture rim.

Three 1-1/2" (38 mm) diameter holes are required for the spout and handles.



## Product Diagram