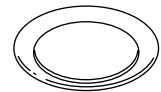
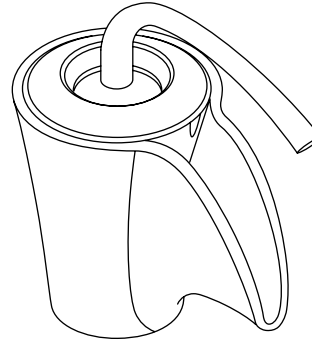


Features

- Ceramic spout
- Polished chrome lever handle and valve [K-11010, -VB, -VT] or
- French gold lever handle and valve [-VC]
- One-piece self-contained ceramic disc valve allows both volume and temperature control
- Flexible supplies for easy installation
- Touch-activated drain with tailpiece
- 3-7/8" (9.8 cm) spout reach
- Single-hole mounting
- Stationary spout
- 1.5 gallons (5.7 liters) per minute maximum flow rate

CERAMIC LAVATORY FAUCET K-11010



Codes/Standards Applicable

Specified model meets or exceeds the following at date of manufacture:

- ASME A112.18.1/CSA B125.1
- NSF 61
- Energy Policy Act of 1992
- All applicable US Federal and State material regulations

Colors/Finishes

- 0: White
- 7: Black Black™
- 96: Biscuit
- NA: None applicable

Specified Model

Model	Description	Colors/Finishes			
K-11010	Single-control lavatory faucet	<input type="checkbox"/> 0	<input type="checkbox"/> 7	<input type="checkbox"/> 96	<input type="checkbox"/> Other _____
K-11010-VB	Single-control lavatory faucet – with Imperial Blue™ design	<input type="checkbox"/> 0			
K-11010-VC	Single-control lavatory faucet – with Cerana™ design			<input type="checkbox"/> 96	
K-11010-VT	Single-control lavatory faucet – with Silkweave™ design	<input type="checkbox"/> 0			

Optional Accessories

Additional flow options are available (refer to the Kohler Price Book)

Product Specification

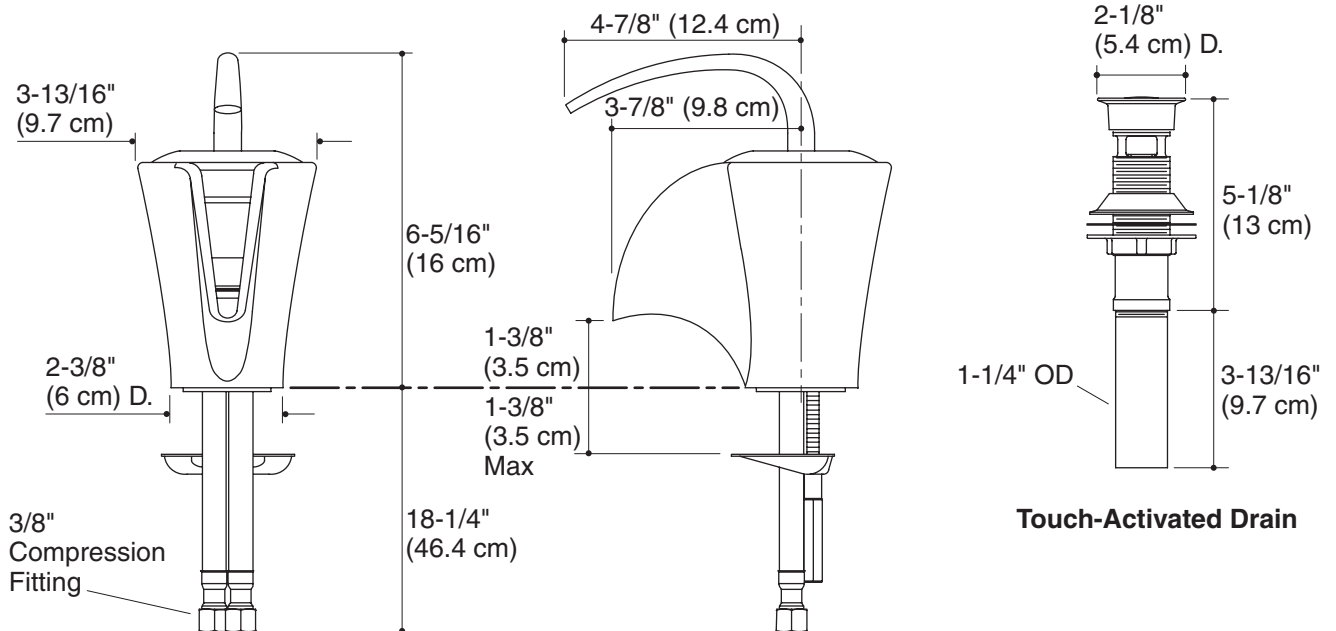
The single-control lavatory faucet shall have a ceramic spout. Product shall have a maximum flow rate of 1.5 gallons (5.7 liters) per minute. Product shall be available with a polished chrome lever handle and valve [K-11010, -VB, -VT] or a French gold lever handle and valve [-VC]. Product shall feature a one-piece, self-contained ceramic disc valve, allowing both volume and temperature control. Product shall feature a 3-7/8" (9.8 cm) spout reach, flexible supplies for easy installation, a stationary spout, and a touch-activated drain with tailpiece. Product shall be for single-hole mounting. Faucet shall be Kohler Model K-11010-____ or K-11010-____-____.

Technical Information

Included component:	
Drain	1035625

Installation Notes

Install this faucet according to the installation instructions provided.



Product Diagram