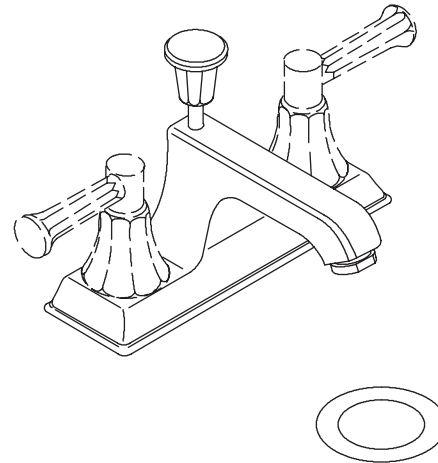


Features

- Brass construction
- Brass valve bodies
- Quarter-turn washerless ceramic disc valves
- For 4" (10.2 cm) centers
- Available with and without pop-up drain, lift rod, and tailpiece
- Variety of handle style options
- 4-7/16" (11.3 cm) spout reach with stationary spout
- Available with red and blue indexing [-X]
- 1.5 gallons (5.7 liters) per minute maximum flow rate

**CENTERSET LAVATORY FAUCET
K-433, K-452**



Codes/Standards Applicable



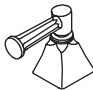
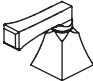
Specified model meets or exceeds the following at date of manufacture:

- ADA
- ASME A112.18.1/CSA B125.1
- ICC/ANSI A117.1
- NSF 61
- EPA WaterSense®
- All applicable US Federal and State material regulations

Colors/Finishes

- CP: Polished Chrome
- Other: Refer to Price Book for additional colors/finishes

Specified Model

Model	Description	Stately Cross  ADA		Classic Lever  ADA		Stately Lever  ADA		Stately Deco Lever  ADA	
		<input type="checkbox"/>	<input type="checkbox"/>	<input type="checkbox"/>	<input type="checkbox"/>	<input type="checkbox"/>	<input type="checkbox"/>	<input type="checkbox"/>	<input type="checkbox"/>
K-433-X4V	Centerset lavatory faucet							<input type="checkbox"/> CP	
K-452-3S	Centerset lavatory faucet	<input type="checkbox"/> CP	<input type="checkbox"/> Other						
K-452-X3S	Centerset lavatory faucet	<input type="checkbox"/> CP							
K-452-4C	Centerset lavatory faucet			<input type="checkbox"/> CP	<input type="checkbox"/> Other				
K-452-X4C	Centerset lavatory faucet			<input type="checkbox"/> CP					
K-452-4S	Centerset lavatory faucet					<input type="checkbox"/> CP	<input type="checkbox"/> Other		
K-452-4V	Centerset lavatory faucet							<input type="checkbox"/> CP	<input type="checkbox"/> Other
K-452-X4V	Centerset lavatory faucet							<input type="checkbox"/> CP	

Product Specification

The two-handle centerset lavatory faucet shall be of brass construction with brass valve bodies. Product shall feature a maximum flow rate of 1.5 gallons (5.7 liters) per minute. Product shall feature quarter-turn washerless ceramic disc valves and a 4-7/16" (11.3 cm) spout reach with stationary spout. Product shall be for 4" (10.2 cm) centers. Product shall be available with and without pop-up drain, lift rod, and tailpiece and a variety of handle options. Product shall be available with red and blue indexing [-X]. Faucet shall be Kohler Model K-____-____-____.

MEMOIRS®

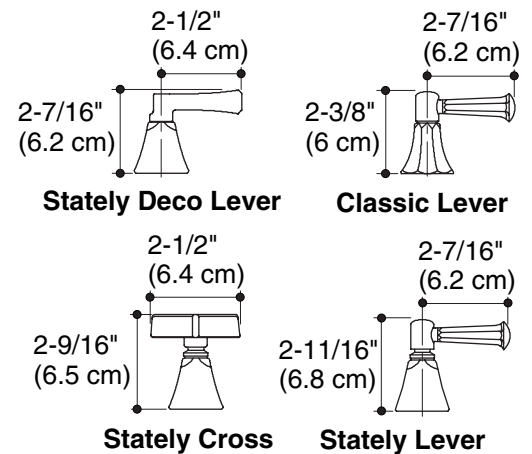
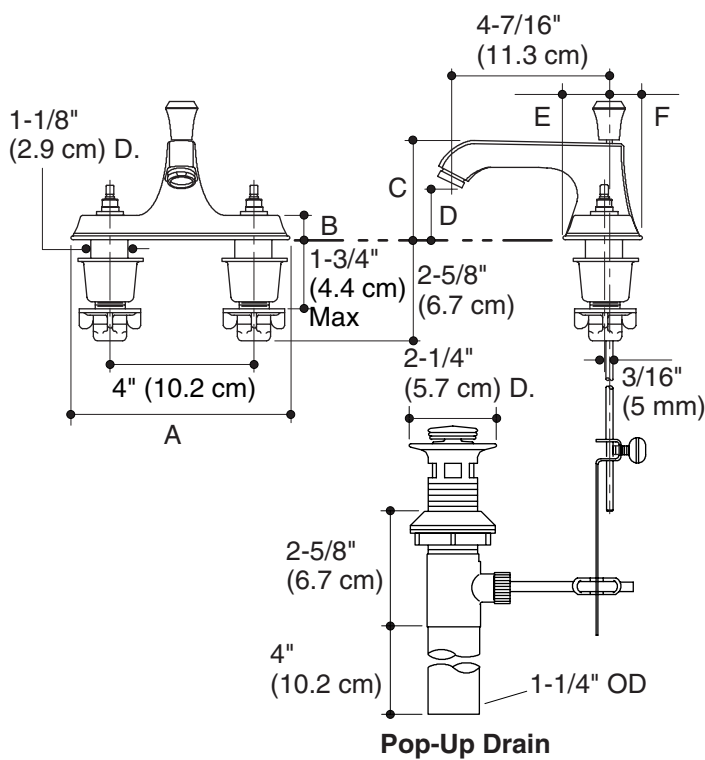
Optional Accessories

Additional flow options are available (refer to the Kohler Price Book)

NA

Installation Notes

Install this product according to the installation guide.



	K-452-4C K-452-X4C	K-433-X4V K-452-3S/X3S/4S/4V/X4V
A	6" (15.2 cm)	6-1/4" (15.9 cm)
B	9/16" (1.4 cm)	11/16" (1.7 cm)
C	2-11/16" (6.8 cm)	2-3/4" (7 cm)
D	1-7/16" (3.7 cm)	1-1/2" (3.8 cm)
E	1-3/16" (3 cm)	1-5/16" (3.3 cm)
F	13/16" (2.1 cm)	15/16" (2.4 cm)

Product Diagram