

**WIDESPREAD LAVATORY FAUCET
K-454**

Features

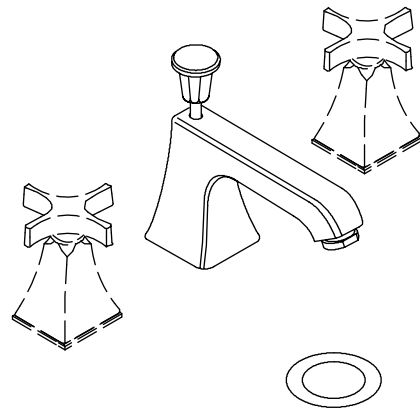
- Brass construction
- Brass valve bodies
- Quarter-turn washerless ceramic disc valves
- Flexible connections for easy installation
- Pop-up drain with lift rod and tailpiece
- Cross or lever handles
- 5" (12.7 cm) spout reach
- Stationary spout
- For 8" (20.3 cm) or 16" (40.6 cm) centers
- 1.5 gallons (5.7 liters) per minute maximum flow rate



Codes/Standards Applicable

Specified model meets or exceeds the following at date of manufacture:

- ADA
- ASME A112.18.1/CSA B125.1
- ICC/ANSI A117.1
- NSF 61
- EPA WaterSense®
- All applicable US Federal and State material regulations




Colors/Finishes

- CP: Polished Chrome
- Other: Refer to Price Book for additional colors/finishes

Accessories

- NA: None applicable



Specified Model

Model	Description	Stately Cross  ADA
K-454-3S	Widespread lavatory faucet	<input type="checkbox"/> CP <input type="checkbox"/> Other_____

Product Specification

The two-handle widespread lavatory faucet shall be made of brass construction with brass valve bodies. Product shall have a maximum flow rate of 1.5 gallons (5.7 liters) per minute. Product shall feature quarter-turn washerless ceramic disc valves, flexible connections for easy installation, a 5" (12.7 cm) spout reach, stationary spout, cross or lever handles, and a pop-up drain with lift rod and tailpiece. Product shall be for 8" (20.3 cm) or 16" (40.6 cm) centers. Faucet shall be Kohler Model K-454-____-_____.

MEMOIRS®

Model	Description	Stately Faceted Lever		Stately Deco Lever	
		 ADA	<input type="checkbox"/> CP <input type="checkbox"/> Other_____	 ADA	<input type="checkbox"/> CP <input type="checkbox"/> Other_____
K-454-4S	Widespread lavatory faucet	<input type="checkbox"/> CP	<input type="checkbox"/> Other_____		
K-454-4V	Widespread lavatory faucet			<input type="checkbox"/> CP	<input type="checkbox"/> Other_____
Optional Accessories					
1160593	Small Spray 0.38 gpm (1.44 lpm) – Insert only			<input type="checkbox"/> NA	
_____	Additional flow options are available (refer to the Price Book)			<input type="checkbox"/> NA	

Installation Notes

Install this product according to the installation guide.

ADA compliant when installed to the specific requirements of these regulations.

