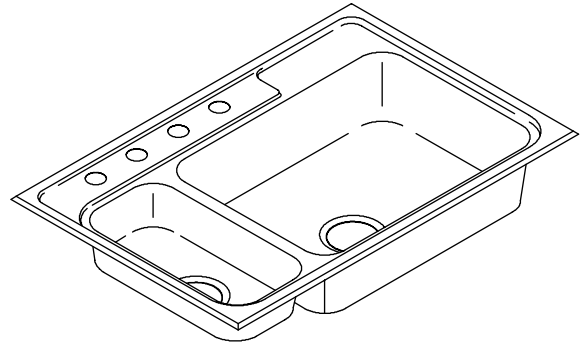


Features

- 19 gauge stainless steel
- Self-rimming
- Double (high/low) compartment
- Includes installation hardware
- 3-hole (-3) or 4-hole (-4)
- 33" (83.8 cm) x 22" (55.9 cm)

SELF-RIMMING KITCHEN SINK K-3285



Codes/Standards Applicable

Specified model meets or exceeds the following:

- ASME A112.19.3
- IAPMO/UPC
- CSA B45

Colors/Finishes

- NA: None applicable

Accessories:

- CP: Polished Chrome
- NA: None applicable
- Other: Refer to Price Book for additional colors/finishes

Specified Model

Model	Description	Colors/Finishes	
K-3285-4	4-hole sink	<input type="checkbox"/> NA	
K-3285-3	3-hole sink	<input type="checkbox"/> NA	
Optional Accessories			
K-3293	Hardwood cutting board (large basin)	<input type="checkbox"/> NA	
K-8801	Duostrainer® sink strainer	<input type="checkbox"/> CP	<input type="checkbox"/> Other_____

Product Specification

The self-rimming kitchen sink shall be 33" (83.8 cm) in length and 22" (55.9 cm) in width. Sink shall be made of 19 gauge stainless steel. Sink shall be double (high/low) compartment. Sink shall be 3-hole (-3) or 4-hole (-4). Sink shall include installation hardware. Sink shall be Kohler Model K-3285-_____.

Technical Information

Fixture*:	Basin area	Water depth
Sink	21" (53.3 cm) x 16" (40.6 cm)	7" (17.8 cm)
Disposal	7" (17.8 cm) x 16" (40.6 cm)	4-1/2" (11.4 cm)
Drain holes	3-5/8" (9.2 cm) D.	
Faucet holes	1-7/16" (3.7 cm) D.	

* Approximate measurements for comparison only.

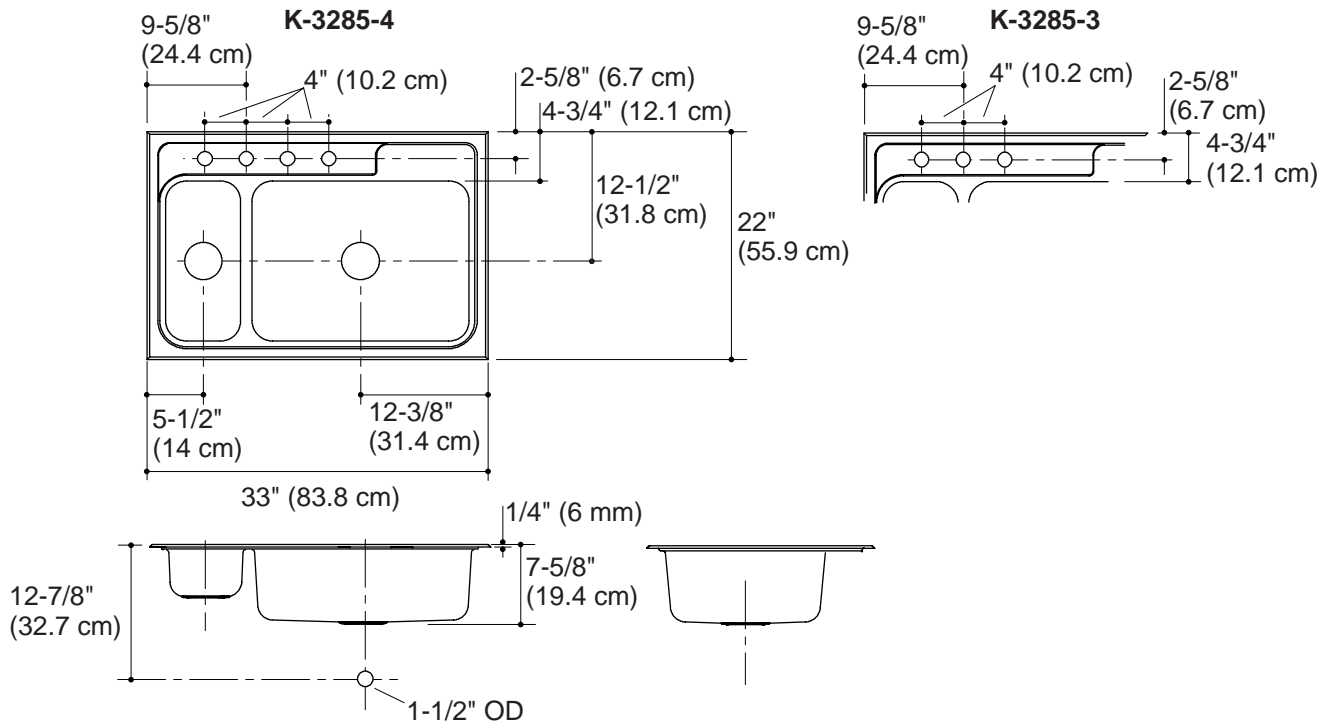
Included components:	
Fastener pack	1023180

Installation Notes

Install this product according to the installation guide.

Cutout is 32-1/2" (82.6 cm) x 21-1/2" (54.6 cm) with 1/2" (1.3 cm) radius corners.

For disposal unit, consult supplier for roughing-in measurements.



Product Diagram