

BATH AND SHOWER FAUCET TRIM

K-T461

ALSO K-T462, K-T463

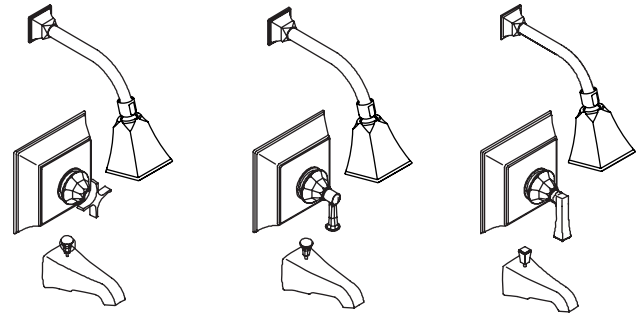
Features

- Metal construction
- Available with cross or lever handles
- Intended for use with Rite-Temp® or HiFlow Rite-Temp® valves

Codes/Standards Applicable

Specified model meets or exceeds the following:

- ASME A112.18.1/CSA B125.1






Colors/Finishes

- CP: Polished Chrome
- Other: Refer to Price Book for additional colors/finishes

Accessories

- NA: None applicable

Specified Model

Model	Description			
K-T461-3S	Bath and shower trim, cross handle	<input type="checkbox"/> CP <input type="checkbox"/> Other ____		
K-T461-4S	Bath and shower trim, faceted lever handle		<input type="checkbox"/> CP <input type="checkbox"/> Other ____	
K-T461-4V	Bath and shower trim, deco lever handle			<input type="checkbox"/> CP <input type="checkbox"/> Other ____
K-T462-3S	Shower trim only, cross handle	<input type="checkbox"/> CP <input type="checkbox"/> Other ____		
K-T462-4S	Shower trim only, faceted lever handle		<input type="checkbox"/> CP <input type="checkbox"/> Other ____	
K-T462-4V	Shower trim only, deco lever handle			<input type="checkbox"/> CP <input type="checkbox"/> Other ____
K-T463-3S	Valve trim only, cross handle	<input type="checkbox"/> CP <input type="checkbox"/> Other ____		
K-T463-4S	Valve trim only, faceted lever handle		<input type="checkbox"/> CP <input type="checkbox"/> Other ____	
K-T463-4V	Valve trim only, deco lever handle			<input type="checkbox"/> CP <input type="checkbox"/> Other ____

Product Specification

The bath and shower faucet trim shall be made of metal construction. Faucet trim shall be intended for use with Rite-Temp or HiFlow Rite-Temp valves. Faucet trim shall be available with either cross or lever handles. Faucet trim shall be K-T____-____-____ and Rite-Temp® valve shall be K-304-____-NA OR K-306-KS-NA HiFlow Rite-Temp® valve.

MEMOIRS® STATELY

Required Accessories		
K-304-K	Rite-Temp® valve without stops, NPT connections OR	<input type="checkbox"/> NA
K-304-KS	Rite-Temp® valve with stops, NPT connections OR	<input type="checkbox"/> NA
K-304-KP	Rite-Temp® valve with PVC connections OR	<input type="checkbox"/> NA
K-306-KS	HiFlow Rite-Temp® valve with stops, NPT connection	<input type="checkbox"/> NA

Optional Accessories		
1030932	Deep roughing-in kit for Rite-Temp® valve (all handles)	<input type="checkbox"/> NA

Installation Notes

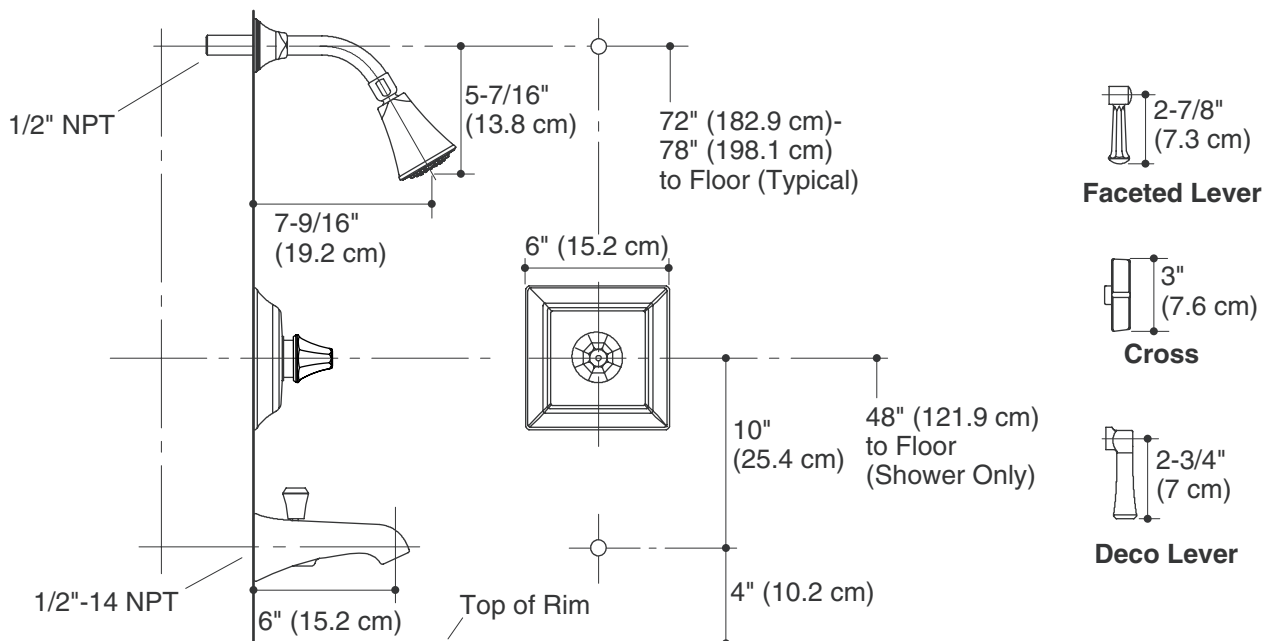
Install this product according to the installation guide.

Install the Rite-Temp® valve according to the valve installation guide.

Avoid cross-flow conditions. Do not install shut-off device on either valve outlet.

Cap shower outlet if deck-mounted spout, diverter, or handshower is connected to the spout outlet.

Install straight pipe or tube drop of 7" (17.8 cm) to 18" (45.7 cm) with single elbow between valve and wall-mount spout.



Product Diagram