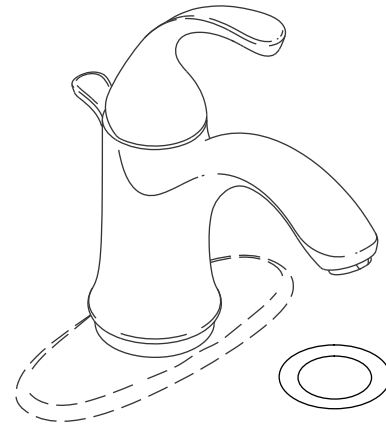


**SINGLE-HANDLE BATHROOM SINK
FAUCET
K-10215
ALSO K-10216**

Features

- Brass construction
- One-piece, self-contained ceramic disc valve allows both volume and temperature control
- Temperature memory allows faucet to be turned on and off at any temperature setting
- High-temperature limit setting for added safety
- Pop-up drain with lift rod and tailpiece
- Flexible connections for easy installation
- 5-1/8" (130 mm) spout reach
- Stationary spout
- Single-hole mounting
- Includes a 6-1/2" (152 mm) escutcheon plate for three-hole bathroom sinks
- 1.5 gallon (5.7 liters) per minute maximum flow rate

ADA **CSA B651** **OBC**



Codes/Standards Applicable

Specified model meets or exceeds the following at date of manufacture:

- ADA
- ICC/ANSI A117.1
- CSA B651
- OBC
- ASME A112.18.1/CSA B125.1
- NSF 61
- All applicable US Federal and State material regulations
- EPA WaterSense®

Colors/Finishes

- CP: Polished Chrome
- Other: Refer to Price Book for additional colors/finishes

Specified Model

Model	Description	Colors/Finishes
K-10215-4	Single-handle bathroom sink faucet – metal pop-up drain	<input type="checkbox"/> CP <input type="checkbox"/> Other _____
K-10216-4	Single-handle bathroom sink faucet – plastic pop-up drain	<input type="checkbox"/> CP <input type="checkbox"/> Other _____

Optional Accessories

Additional flow options are available (refer to the Kohler Price Book)

Product Specification

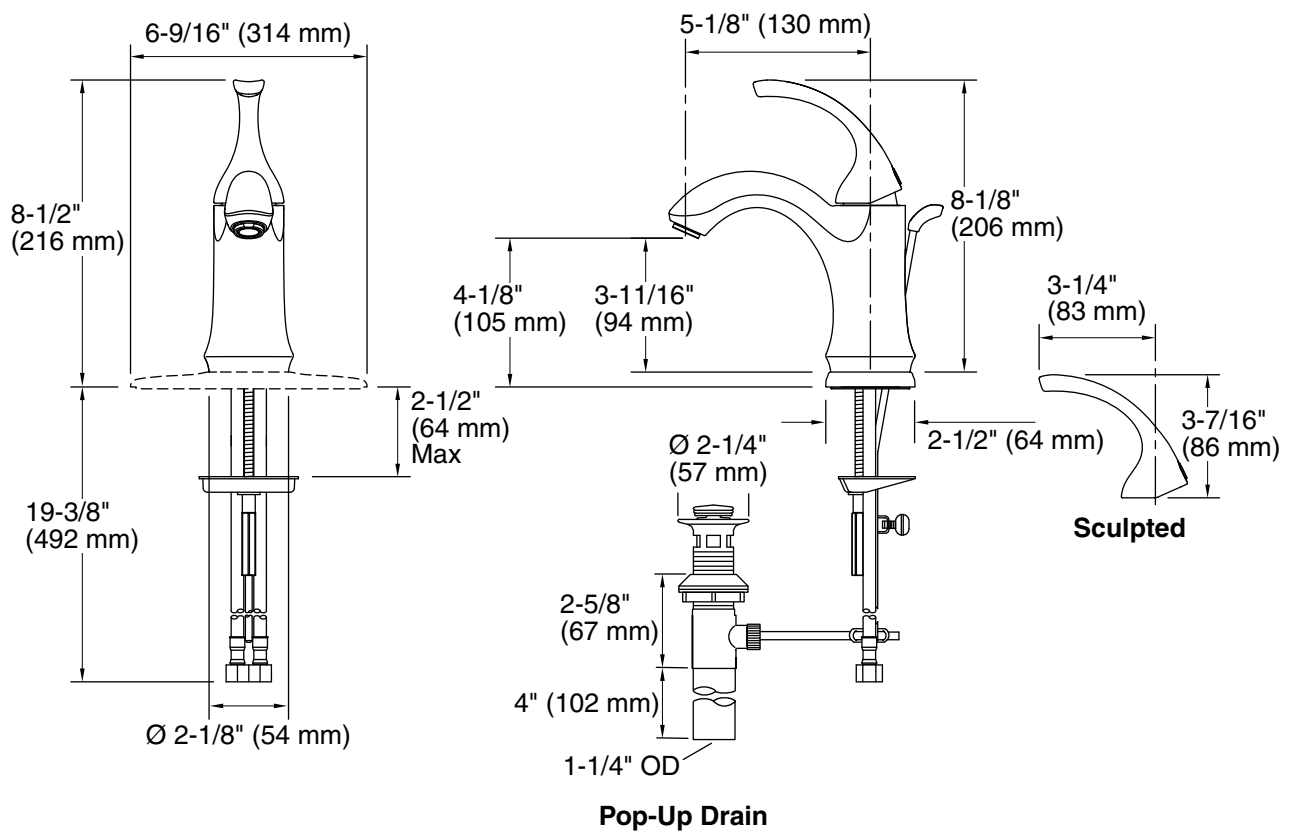
The single-handle bathroom sink faucet shall be of brass construction. Product shall have a maximum flow rate of 1.5 gallons (5.7 liters) per minute. Product shall feature a one-piece, self-contained ceramic disc valve, which allows for both volume and temperature control. Product shall feature temperature memory, allowing the faucet to be turned on and off at any temperature setting. Product shall feature a high-temperature limit stop for added safety. Product shall feature a 5-1/8" (130 mm) spout reach, stationary spout, flexible connections for easy installation, and a pop-up drain with lift rod and tailpiece. Product shall be for single-hole mounting. Product shall include a 6-1/2" (152 mm) escutcheon plate for three-hole bathroom sinks. Bathroom sink faucet shall be Kohler Model K-____-4-____.

FORTE®

Installation Notes

Install this product according to the installation guide.

ADA, CSA B651, OBC compliant when installed to the specific requirements of these regulations.



Product Diagram