

**CENTERSET LAVATORY FAUCET
K-12266**

Features

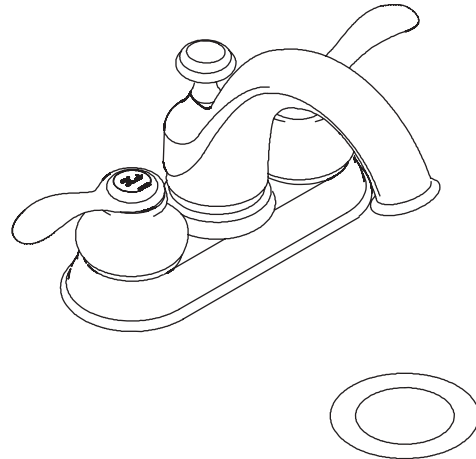
- Brass construction
- Cast brass waterway
- Brass valve bodies
- Quarter-turn washerless ceramic disc valves
- For 4" (10.2 cm) centers
- 4-1/2" (11.4 cm) spout
- Lever handles
- Pop-up drain with lift rod and tailpiece
- 1.5 gallons (5.7 liters) per minute maximum flow rate



Codes/Standards Applicable

Specified model meets or exceeds the following at date of manufacture:

- ADA
- ASME A112.18.1/CSA B125.1
- ICC/ANSI A117.1
- NSF 61
- cUPC
- EPA WaterSense®



Colors/Finishes

- CP: Polished Chrome
- PB: Vibrant® Polished Brass
- Other: Refer to Price Book for additional colors/finishes

Accessories

- NA: None applicable
- Other: Refer to Price Book for additional colors/finishes

Specified Model

Model	Description	Color/Finish		
K-12266	Centerset lavatory faucet	<input type="checkbox"/> CP	<input type="checkbox"/> PB	<input type="checkbox"/> Other ____
Optional Accessories				
K-12005	Two-handle plug button set	<input type="checkbox"/> Other ____		
_____	Additional flow options are available (refer to the Kohler Price Book)	<input type="checkbox"/> NA		

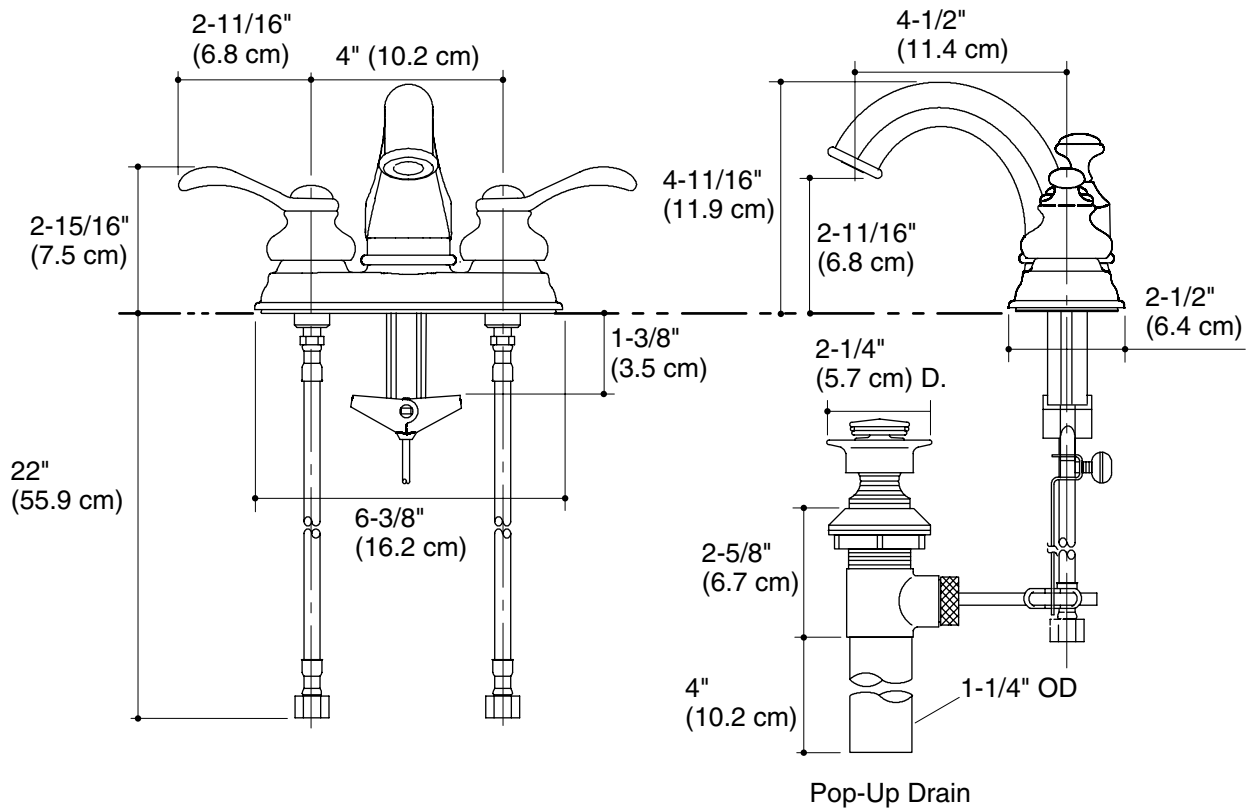
PRODUCT SPECIFICATION

The two-handle centerset lavatory faucet shall be made of brass construction with a cast brass waterway. Product shall feature a maximum flow rate of 1.5 gallons (5.7 liters) per minute. Product shall feature brass valve bodies, quarter-turn washerless ceramic disc valves, and lever handles. Product shall be for 4" (10.2 cm) centers. Product shall feature a 4-1/2" (11.4 cm) spout and a pop-up drain with lift rod and tailpiece. Faucet shall be Kohler Model K-____-____.

FAIRFAX®

Installation Notes

Install this faucet following the installation instructions provided.



Product Diagram