

Features

- Metal construction
- Two quarter-turn washerless ceramic disc valves
- 9" (22.9 cm) swing spout reach
- For 8" (20.3 cm) centers
- 360° swing spout with 12-9/16" (31.9 cm) reach from the wall surface to outlet
- Available with ADA compliant tri handles or lever handles
- Lower flow aerator options available (refer to the Kohler Price Book)
- 2.2 gallons (8.3 L) per minute maximum flow rate

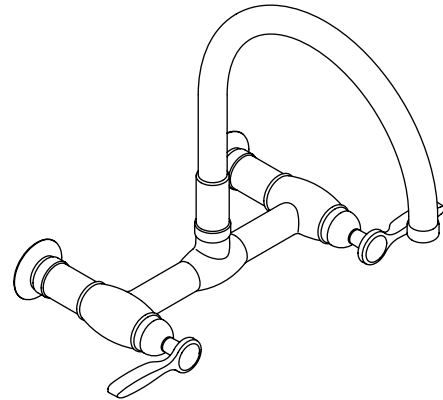
**WALL-MOUNT KITCHEN BRIDGE
FAUCET
K-6132**

ADA

Codes/Standards Applicable

Specified model meets or exceeds the following at date of manufacture:

- ADA
- ASME A112.18.1/CSA B125.1
- ICC/ANSI A117.1
- Energy Policy Act of 1992
- NSF 61
- All applicable US Federal and State material regulations



Colors/Finishes

- CP: Polished Chrome
- Other: Refer to Price Book for additional colors/finishes

Specified Model

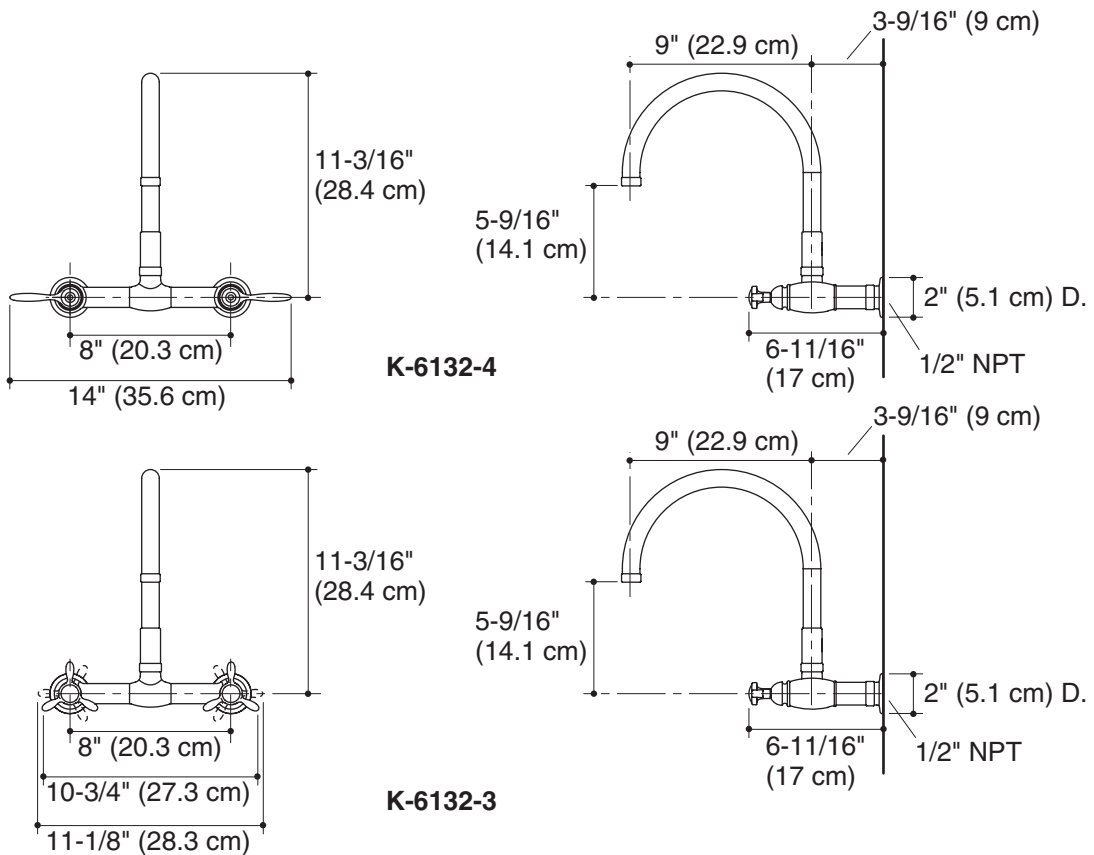
Model	Description	Colors/Finishes	
K-6132-3	Wall-mount kitchen bridge faucet – tri handles	<input type="checkbox"/> CP	<input type="checkbox"/> Other _____
K-6132-4	Wall-mount kitchen bridge faucet – lever handles (shown)	<input type="checkbox"/> CP	<input type="checkbox"/> Other _____

Product Specification

The wall-mount kitchen bridge faucet shall be constructed of metal. Product shall feature a maximum flow rate of 2.2 gallons (8.3 L) per minute with lower flow aerator options available (refer to the Kohler Price Book). Product shall feature two quarter-turn washerless ceramic disc valves, 9" (22.9 cm) swing spout reach, and a 360° swing spout with 12-9/16" (31.9 cm) reach from the wall surface to outlet. Product shall be available with ADA compliant tri handles or lever handles. Product shall be for 8" (20.3 cm) centers. Faucet shall be Kohler Model K-6132-____-____.

Installation Notes

Install this product according to the installation guide.



Product Diagram