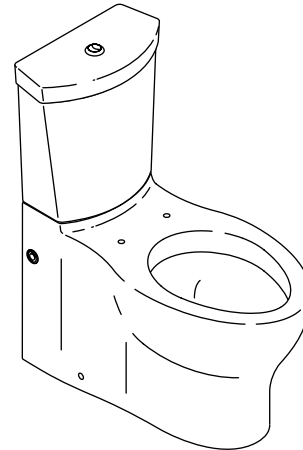


DUAL FLUSH TOILET K-3654



Features

- Vitreous china
- Elongated bowl
- Dual Flush flushing system
- Two-bolt installation system
- Includes polished chrome push buttons
- Less seat and supply
- Minimum 12" (30.5 cm) rough-in
- 1.6 gpf (6 lpf) or .8 gpf (3 lpf)
- 4-1/2" (11.4 cm) x 5-3/4" (14.6 cm) water area
- 27-5/8" (70.2 cm) x 14-3/16" (36 cm) x 31-1/2" (80 cm)



Codes/Standards Applicable

Specified model meets or exceeds the following:

- ASME A112.19.2/CSA B45.1
- ASME A112.19.14
- EPA WaterSense®

Colors/Finishes

- 0: White
- Other: Refer to Price Book for additional colors/finishes

Accessories

- CP: Polished Chrome

Specified Model

| Model | Description | Colors/Finishes |
|--------------------------------|----------------------------------|--|
| K-3654 | Dual flush toilet | <input type="checkbox"/> 0 <input type="checkbox"/> Other_____ |
| Required Accessories | | |
| K-4664 | Brevia™ elongated toilet seat | <input type="checkbox"/> 0 <input type="checkbox"/> Other_____ |
| Recommended Accessories | | |
| K-7659 | 3/8" NPT angle stop OR | <input type="checkbox"/> CP |
| K-7660 | 1/2" NPT angle stop OR | <input type="checkbox"/> CP |
| K-7668 | 3/8" NPT straight stop OR | <input type="checkbox"/> CP |

Product Specification

The elongated bowl toilet shall be made of vitreous china. Toilet shall be 27-5/8" (70.2 cm) in length, 14-3/16" (36 cm) in width, and 31-1/2" (80 cm) in height with a 4-1/2" (11.4 cm) x 5-3/4" (14.6 cm) water area. Toilet shall be two-bolt installation and minimum 12" (30.5 cm) rough-in. Toilet shall be 1.6 gpf (6 lpf) or .8 gpf (3 lpf) with Dual Flush flushing system. Toilet shall be less seat and supply. Toilet shall include polished chrome push buttons. Toilet shall be Kohler Model K-3654-_____.

PERSUADE®

Recommended Accessories (continued)

| | | |
|--------|------------------------|-----------------------------|
| K-7678 | 1/2" NPT straight stop | <input type="checkbox"/> CP |
|--------|------------------------|-----------------------------|

Technical Information

| | |
|------------------------|--|
| Fixture: | |
| Configuration | two-piece, elongated |
| Water per flush | 1.6 gpf (6 lpf) or 0.8 gpf (3 lpf) |
| Passageway | 2" (5.1 cm) |
| Water area | 4-1/2" (11.4 cm) x 5-3/4" (14.6 cm) |
| Water depth from rim | 8-1/2" (21.6 cm) |
| Seat post hole centers | 5-1/2" (14 cm) |

Included components:

| | |
|--------------|---------|
| Bowl | K-4322 |
| Tank | K-4419 |
| Tank cover | 1052066 |
| Push buttons | 1035417 |

Installation Notes

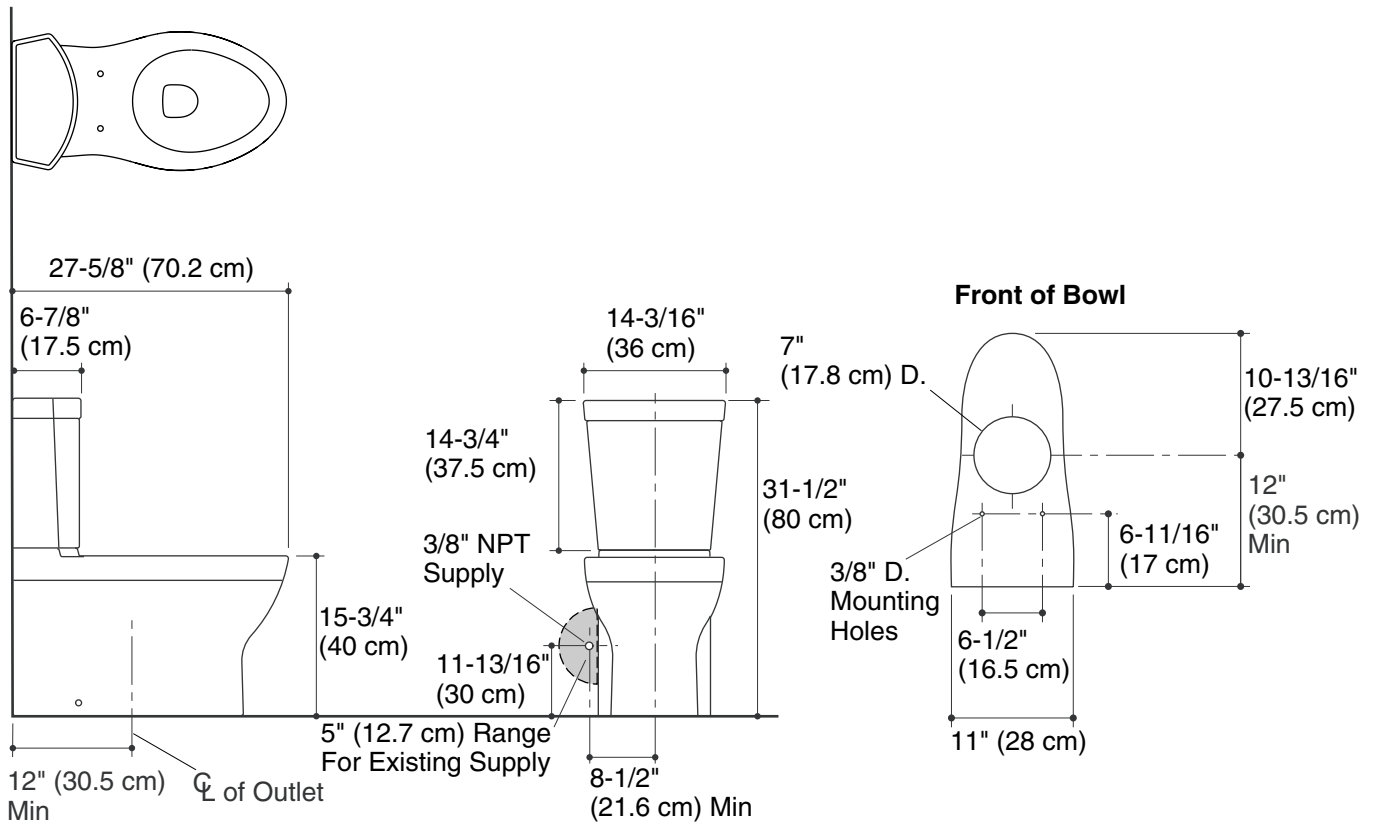
IMPORTANT! The rough-in must be 12" (30.5 cm) or more from the base of the wall or baseboard. The base of the toilet fits tightly against the wall or baseboard. The toilet will not fit correctly if there is less than 12" (30.5 cm) of clear space between the base of the wall or baseboard and the centerline of the outlet. Install or relocate the supply and outlet as necessary to conform to rough-in dimensions.

NOTE: If a baseboard causes the rough-in to be less than 12" (30.5 cm), it must be cut or removed to allow space for the toilet.

If this toilet is installed to new construction, install a new supply stop following the dimensions in the diagram.

In installations with the supply stop installed, the existing supply stop may need to be relocated if it is less than 8-1/2" (21.6 cm) from the centerline of the toilet. Dry fit the toilet to confirm if the supply stop needs to be relocated.

The supplied hose will extend roughly 6" (15.2 cm) from the toilet. If the supplied hose does not reach the supply stop, a longer supply hose may be used.



Product Diagram