

ARCHER™ RITE-TEMP®

BATH AND SHOWER VALVE TRIM

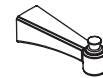
K-T11077

ALSO K-T11078

ADA

Features

- Metal construction
- Brass valve bodies
- High-temperature limit setting for added safety
- Rite-Temp® pressure-balancing diaphragm design valve
- Mixing valve cycles from "cold" to "hot"
- Intended for use with Rite-Temp® or HiFlow Rite-Temp® valves
- Pressure-balancing mechanism of one-piece diaphragm cartridge design for ease of maintenance
- ADA compliant lever handle



Codes/Standards Applicable

Specified model meets or exceeds the following:

- ASME A112.18.1
- ADA
- IAPMO/cUPC

Colors/Finishes

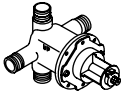
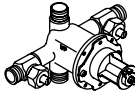
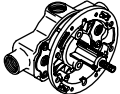
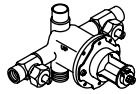
- CP: Polished Chrome
- Other: Refer to Price Book for additional colors/finishes

Accessories

- NA: None applicable

Specified Model

| Model | Description | Colors/Finishes | |
|------------|--|-----------------------------|-------------------------------------|
| K-T11077-4 | Bath and shower valve trim with 1/2" IPS threaded or slip fit diverter spout | <input type="checkbox"/> CP | <input type="checkbox"/> Other ____ |
| K-T11078-4 | Shower valve trim, less diverter spout | <input type="checkbox"/> CP | <input type="checkbox"/> Other ____ |

| Required Pressure-Balancing Valve | |  |  |  |  |
|-----------------------------------|--|--|---|---|---|
| K-304-K | Rite-Temp without stops, NPT connections OR | <input type="checkbox"/> NA | | | |
| K-304-KS | Rite-Temp with stops, NPT connections OR | | <input type="checkbox"/> NA | | |
| K-306-KS | HiFlow Rite-Temp with stops, NPT connections OR | | | <input type="checkbox"/> NA | |
| K-304-KP | Rite-Temp with stops, CPVC connections | | | | <input type="checkbox"/> NA |

Product Specification

The valve trim shall be made of metal construction with brass valve bodies. Product shall have a Rite-Temp pressure-balancing diaphragm design valve and pressure-balancing mechanism of one-piece diaphragm cartridge design for ease of maintenance. Product shall feature mixing valve cycles from "cold" to "hot," a high-temperature limit setting for added safety and a single ADA compliant lever handle. Product is intended for use with Rite-Temp or HiFlow Rite-Temp valves. Valve trim shall be Kohler Model K-T____-____-____ and required Rite-Temp valve shall be K-____-____-NA.

ARCHER™ RITE-TEMP®

Optional Accessories

1073881 HiFlow Rite-Temp thick wall installation kit

NA

Installation Notes

Install the valve trim according to the installation guide.

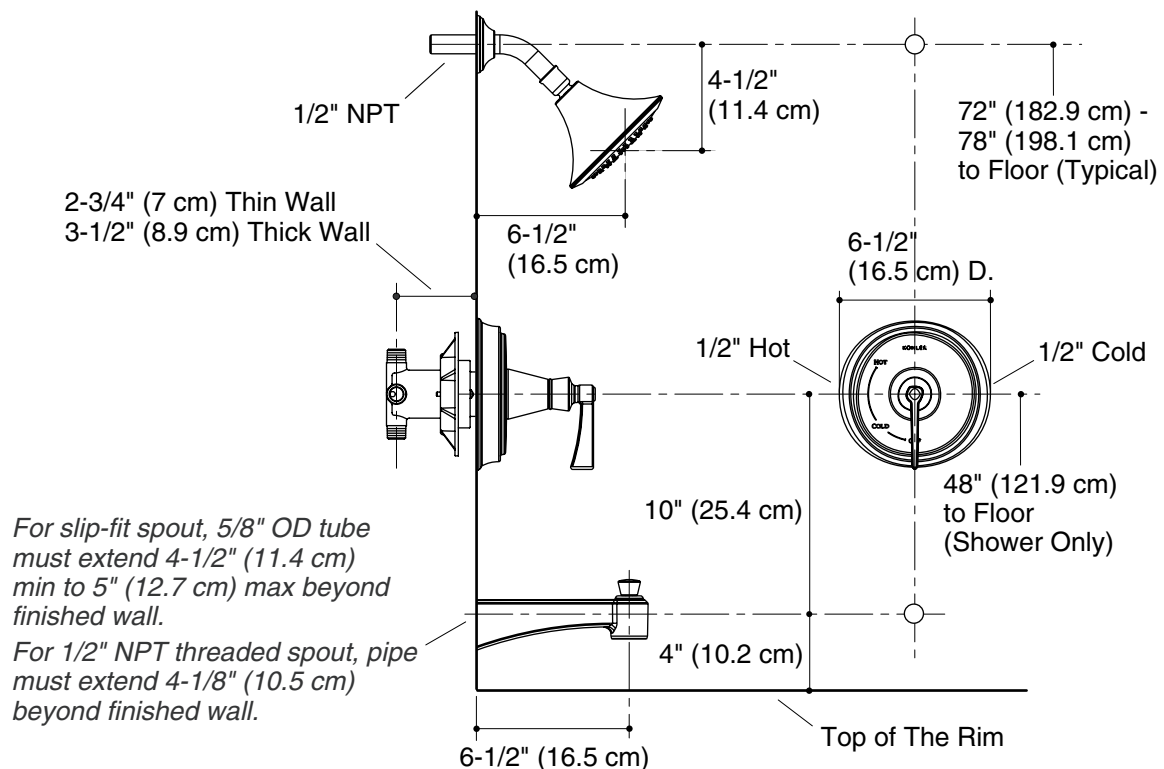
Install the Rite-Temp valve according to the installation guide.

Avoid cross-flow conditions. Do not install a shut-off device on either valve outlet.

Cap the shower outlet if the deck-mounted spout, diverter, or handshower is connected to the spout outlet.

Install a 7" (17.8 cm) to 18" (45.7 cm) straight pipe or straight tube with single bath elbow between the valve and the wall-mount spout.

Due to the waterway location in the spout, the finished wall should touch the top surface of the supply pipe.



Product Diagram

ARCHER™ RITE-TEMP® BATH AND SHOWER VALVE TRIM

Page 2 of 2
1072956-4-B

THE BOLD LOOK
OF **KOHLER**®